

---

零件样本

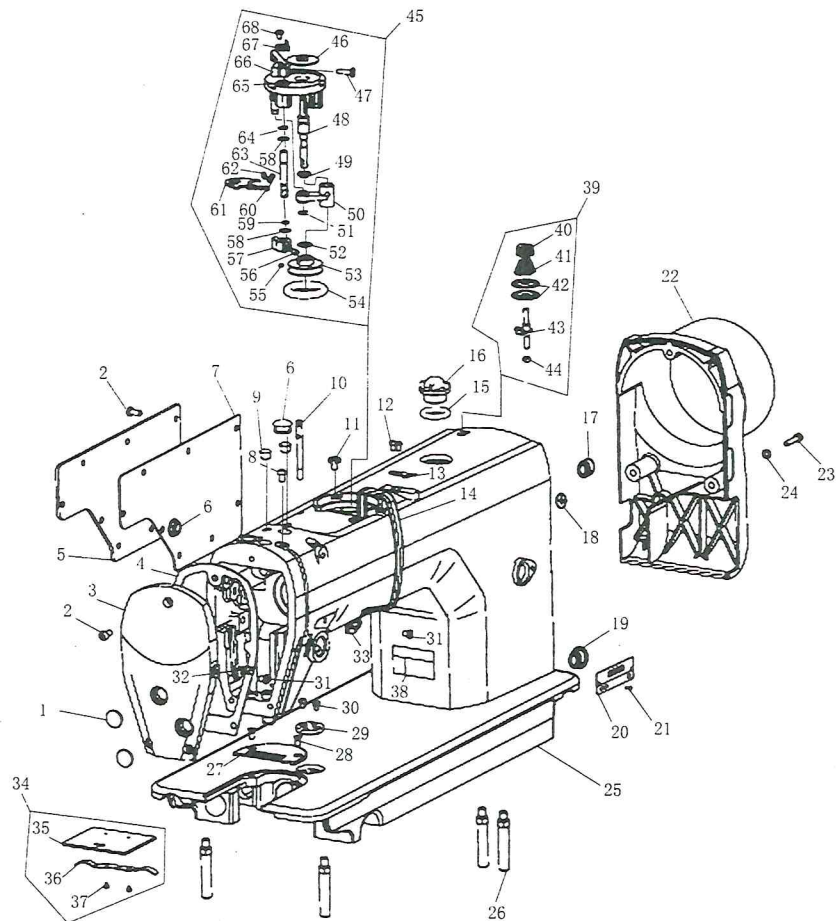
Parts Book

## 1. 机壳分组件 MACHINE FRAME — MISCELLANEOUS COVER COMPONENTS

序号 Ref.No.	件号 Part NO.	名称 Description	数量 QTY	备注 Remark
1	1-1	橡胶塞 Rubber plug	2	
2	1-2	螺钉 Screw	11	
3	1-3	面板 Face plate	1	
4	1-4	面板垫 Face plate gasket	1	
5	1-5	后窗板 Side plate	1	
6	1-6	橡胶塞 Rubber plug	2	
7	1-7	后窗板垫 Side plate gasket	1	
8	1-8	螺钉 Screw	1	
9	1-9	橡胶塞 Rubber plug	2	
10	1-10	过线柱 Needle thread guide pin	1	
11	1-11	螺钉 Screw	3	
12	1-12	螺钉 Screw	2	
13	1-13	绕线切刀 Thread cutter	1	
14	1-14	挑线杆护罩 Thread take-up lever cover	1	
15	1-15	O形圈 O-ring	1	
16	1-16	油窗 Oil window	1	
17	1-17	橡胶塞 Rubber plug	1	
18	1-18	机头接地指示牌 Earthing indication plat	1	
19	1-19	橡胶塞 Rubber plug	1	
20	1-20	型号牌 Model plate	1	
20	1-20	型号牌 Model plate	1	
21	1-21	铆钉 Rivet	1	
22	1-22	后盖 Pulley cover	1	
23	1-23	螺钉 Screw	3	
24	1-24	垫圈 Washer	3	
25	1-25	机壳拼装组件 Machine frame	1	
26	1-26	底板支柱 Bed screw stud	4	
27	1-27	针板 Needle plate	1	
27	1-27	针板 Needle plate	1	
28	1-28	螺钉 Screw	2	
29	1-29	限位挡片 Ruler plate	1	
30	1-30	螺钉 Screw	2	
31	1-31	螺钉 Screw	2	
32	1-32	左线钩 Arm thread guide left	1	
33	1-33	右线钩 Arm thread guide right	1	
34	1-34	推板部件 Side plate ASM.	1	
35	1-35	推板 Side plate	1	
36	1-36	推板簧 Spring of side plate	1	
37	1-37	螺钉 Screw	2	
38	1-38	机头安全提示牌 Safty-indication plate	1	
39	1-39	绕线夹线器组件 Bobbin thread tension ASM.	1	
40	1-40	塑料夹线螺母 Thread tension nut	1	
41	1-41	弹簧 Spring	1	
42	1-42	夹线板 Thread tension disk	2	
43	1-43	中过线板组件 Bobbin thread tension ASM.	1	
44	1-44	螺母 Nut	1	
45	1-45	绕线器 Bobbin winder ASM.	1	
46	1-46	卷绕轴垫 Cushing	1	
47	1-47	螺钉 Screw	1	
48	1-48	梭芯卷绕轴 Shaft	1	

# 1. 机壳分组件 MACHINE FRAME — MISCELLANEOUS COVER COMPONENTS

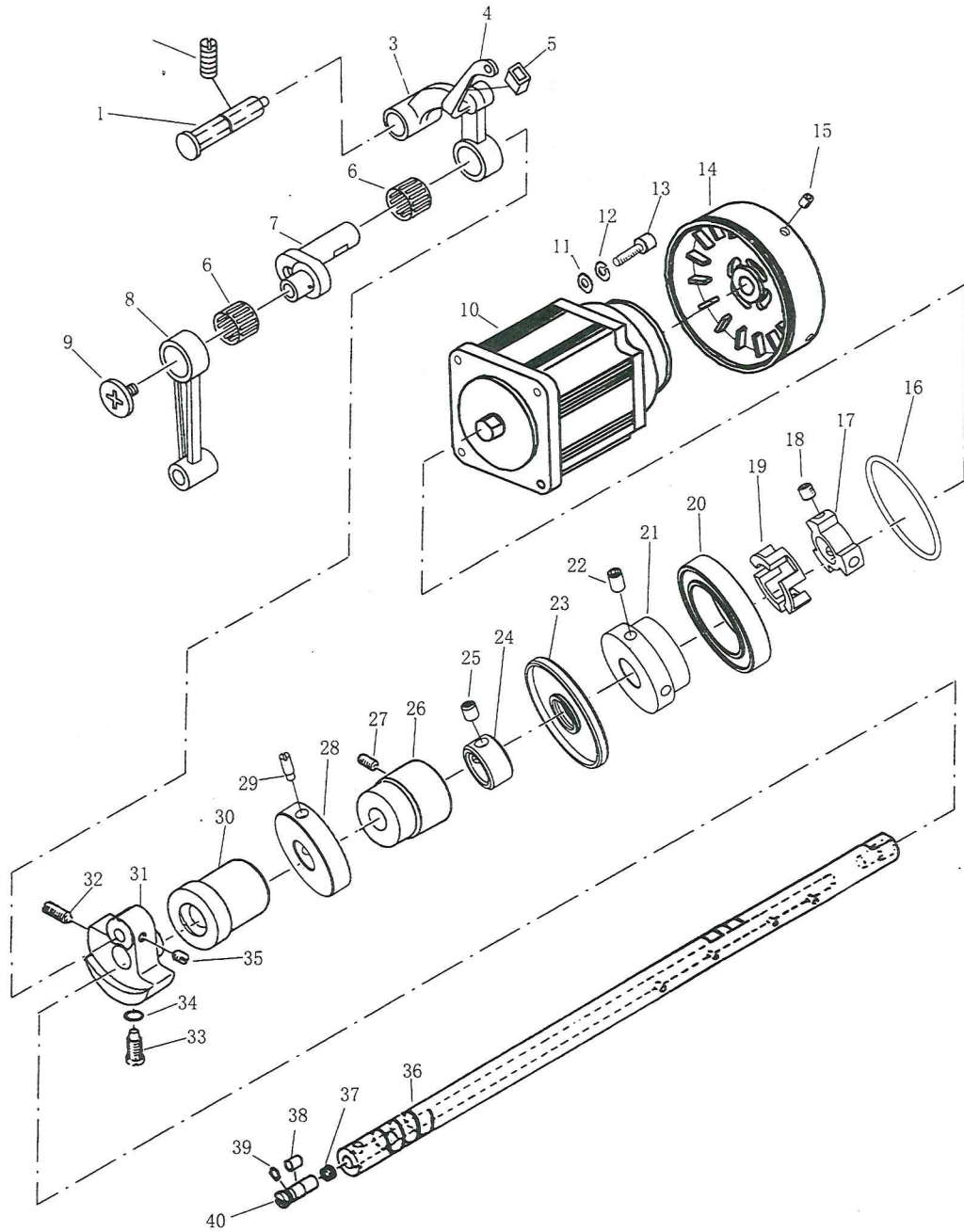
序号 Ref.No.	件号 Part NO.	名称 Description	数量 QTY	备注 Remark
49	1-49	O形圈 O-ring	1	
50	1-50	摆动板组件 Bobbin winder shaft comple	1	
51	1-51	挡圈 Thrust collar	1	
52	1-52	垫圈 Washer	1	
53	1-53	绕线轮 Bobbin ring	1	
54	1-54	橡胶轮 Rubber ring	1	
55	1-55	螺钉 Screw	1	
56	1-56	螺钉 Screw	1	
57	1-57	绕线定位块 Bobbin winder regulator	1	
58	1-58	垫圈 washer	2	
59	1-59	O形圈 O-ring	1	
60	1-60	弹簧 Spring	1	
61	1-61	控制板 Adjusting plate	1	
62	1-62	弹簧 Spring	1	
63	1-63	绕线凸轮轴 Bobbin shaft	1	
64	1-64	挡圈 Thrust collar	1	
65	1-65	梭芯卷绕体组件 Bobbin fitting basis COMPL.	1	
66	1-66	卷绕手柄 Bobbin lever	1	
67	1-67	线量调节板 Adjusting plate	1	
68	1-68	螺钉 Screw	1	



## 2. 上轴、挑线分组件 MAIN SHAFT & THREAD TAKE-UP COMPONENTS

序号 Ref.No.	件号 Part NO.	名称 Description	数量 QTY	备注 Remark
1	2-1	挑线连杆销组件 Thread take-up crank shaft	1	
2	2-2	螺钉 Screw	1	
3	2-3	挑线连杆 Thread take-up bar	1	
3	2-3	挑线连杆 Thread take-up bar	1	-5
4	2-4	挑线杆分部件 Thread take-up lever ASM.	1	
4	2-4	挑线杆分部件 Thread take-up lever ASM.	1	-5
5	2-5	挑线杆防油圈 Oil resietant cover	1	
6	2-6	轴承 Bearing	2	
7	2-7	挑线曲柄组件 Needle bar crank	1	
7	2-7	挑线曲柄组件 Needle bar crank	1	-5
8	2-8	针杆连杆 Needle bar crank rod	1	
9	2-9	螺钉 Screw	1	
10	2-10	电机 Motor	1	
11	2-11	垫圈 Washer	4	
12	2-12	垫圈 Washer	4	
13	2-13	螺钉 Screw	4	
14	2-14	上轮 Head wheel	1	
15	2-15	螺钉 Screw	2	
16	2-16	O形圈 O-ring	1	
17	2-17	联轴器 Coupling	1	
18	2-18	螺钉 Screw	3	
19	2-19	联轴器橡胶圈 Washer	1	
20	2-20	轴承 Bearing	1	
21	2-21	联轴器 Coupling	1	
22	2-22	螺钉 Screw	2	
23	2-23	油封 Oil seal	1	
24	2-24	挡圈 Thrust collar	1	
25	2-25	螺钉 Screw	2	
26	2-26	轴套 Bearing support	1	
27	2-27	螺钉 Screw	1	
28	2-28	绕线主动轮 Wheel	1	
29	2-29	螺钉 Screw	1	
30	2-30	轴套 Bearing support	1	
31	2-31	针杆曲柄 Counter weight	1	
31	2-31	针杆曲柄 Counter weight	1	-5
32	2-32	螺钉 Screw	1	
33	2-33	螺钉 Screw	1	
34	2-34	O形圈 O-ring	1	
35	2-35	螺钉 Screw	2	
36	2-36	上轴 Main shaft	1	
37	2-37	毛毡 Roller felt	1	
38	2-38	曲柄油量调节销套 Sleeve of adjusting pin	1	
39	2-39	O形圈 O-ring	1	
40	2-40	曲柄油量调节销 Adjusting pin	2	

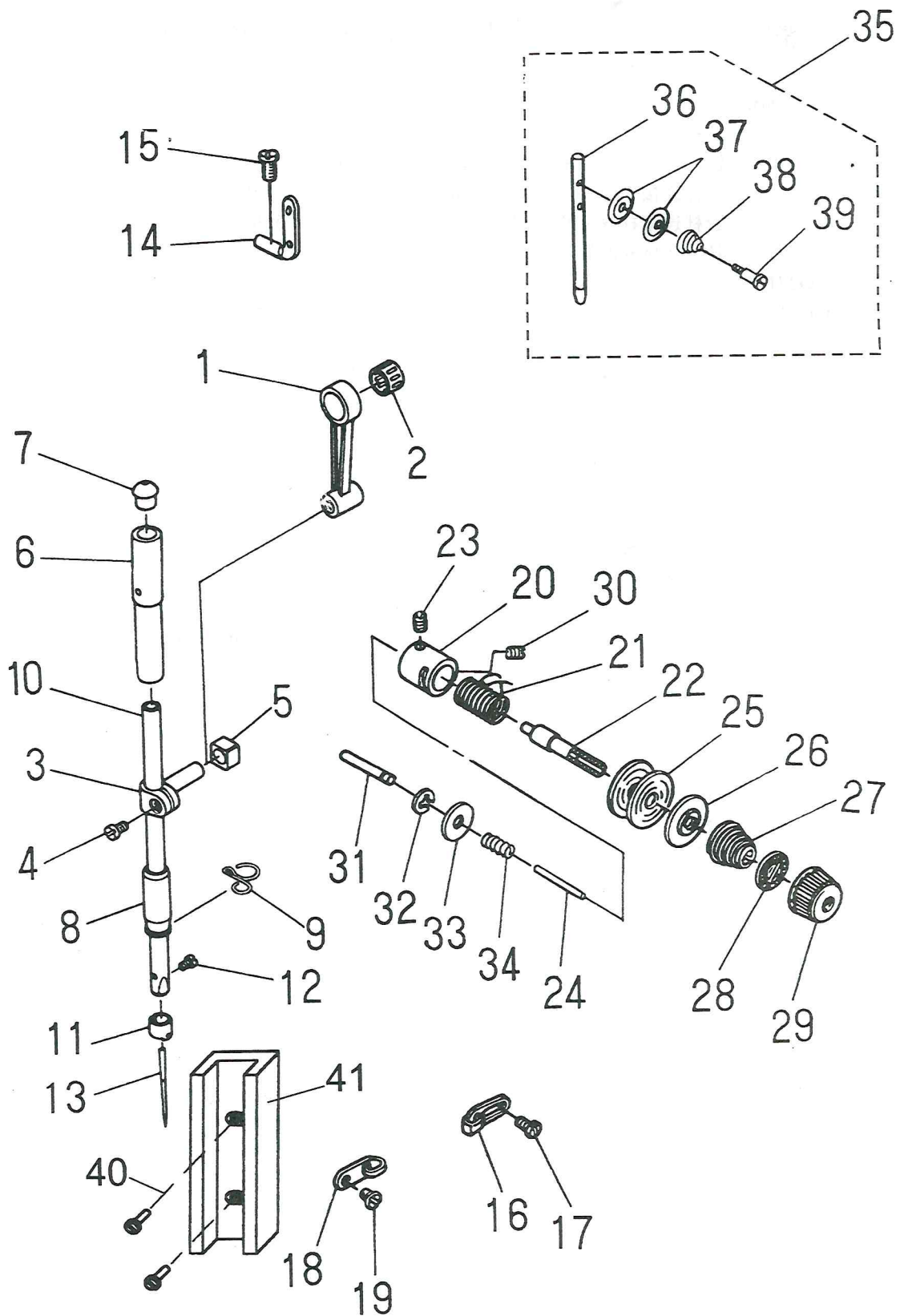
2. 上轴、挑线分组件 Main shaft & thread take-up lever components



## 3.针杆、夹线分组件

## 3.Needle bar &amp; thread tension components

序号 Ref.No.	件号 Part No.	名 称	Description	数量 Amt.
1	GH334	针杆连杆.....	Needle bar crank rod.....	1
2	GO270	针杆连杆滚针轴承.....	Needle bearing.....	1
3	GR1478	针杆连接柱.....	Needle bar connection asm. ....	1
4	GS011	针杆连接柱螺钉 9/64-40 L=6.....	Screw 9/64-40 L=6.....	1
5	GU168	针杆连接柱滑块.....	Slide block.....	1
6	GO271	针杆上轴套.....	Needle bar bushing, upper.....	1
7	GR1479	针杆上轴套孔塞.....	Cap.....	1
8	GO272	针杆下轴套.....	Needle bar bushing, lower.....	1
9	GR3351	针杆下轴套线钩.....	Needle bar thread guide.....	1
10	GZ432	针杆.....	Needle bar .....	1
11	GR3352	针杆线钩.....	Needle bar thread guide.....	1
12	GS071	支针螺钉 1/8-44 L=4.5 .....	Screw 1/8-44 L=4.5.....	1
13	GV15	机针(DB × 1 <sup>#</sup> 14) .....	Needle (DB × 1 <sup>#</sup> 14).....	1
14	GR3353	二眼线钩.....	Two-hole thread eyelet.....	1
15	GS0551	二眼线钩螺钉 3/16-28 L=6.....	Screw 3/16-28 L=6.....	1
16	GR3354	右线钩.....	Frame thread guide, right.....	1
17	GS0552	右线钩螺钉 11/64-40 L=6.....	Screw 11/64-40 L=6.....	1
18	GR3355	左线钩.....	Frame thread guide, left.....	1
19	GS0551	左线钩螺钉 11/64-40 L=6.....	Screw 11/64-40 L=6.....	1
20	GR1487	挑线簧调节座.....	Tension post socket.....	1
21	GW250	挑线簧.....	Take-up spring.....	1
22	GS015	夹线螺钉.....	Screw.....	1
23	GS016	夹线螺钉紧固螺钉 9/64-40 L=5.5.....	Set screw 9/64-40 L=5.5.....	1
24	GX567	松线钉.....	Thread release pin.....	1
25	GR1488	夹线板.....	Tension disc.....	2
26	GR1489	松线板.....	Tension disc holder.....	1
27	GW251	夹线簧.....	Tension spring.....	1
28	GR1490	夹线制动板.....	Tension disc stopper.....	1
29	GL0113	夹线螺母.....	Tension nut.....	1
30	GS48	夹线器螺钉 15/64-28 L=7.....	Screw 15/64-28 L=7.....	1
31	GX568	松线辅钉.....	Tension release supporting pin.....	1
32	GR1717	松线辅钉挡圈.....	Snap ring.....	1
33	GR3357	松线辅钉垫片.....	Washer plate.....	1
34	GW432	松线辅钉弹簧.....	Tension release pin spring.....	1
35	GR1491/5	过线器部件.....	Needle thread guide pin asm. ....	1
36	GR1492	过线柱.....	Needle thread guide pin.....	(1)
37	GR1493	过线夹线板.....	Tension disc.....	(2)
38	GW252	过线夹线簧.....	Tension spring.....	(1)
39	GS017	过线夹线螺钉.....	Hinge screw.....	(1)
40	GS0340	滑块槽螺钉.....	Slide block.....	2
41	GR0341	针杆滑块槽.....	Needle bar trough.....	1

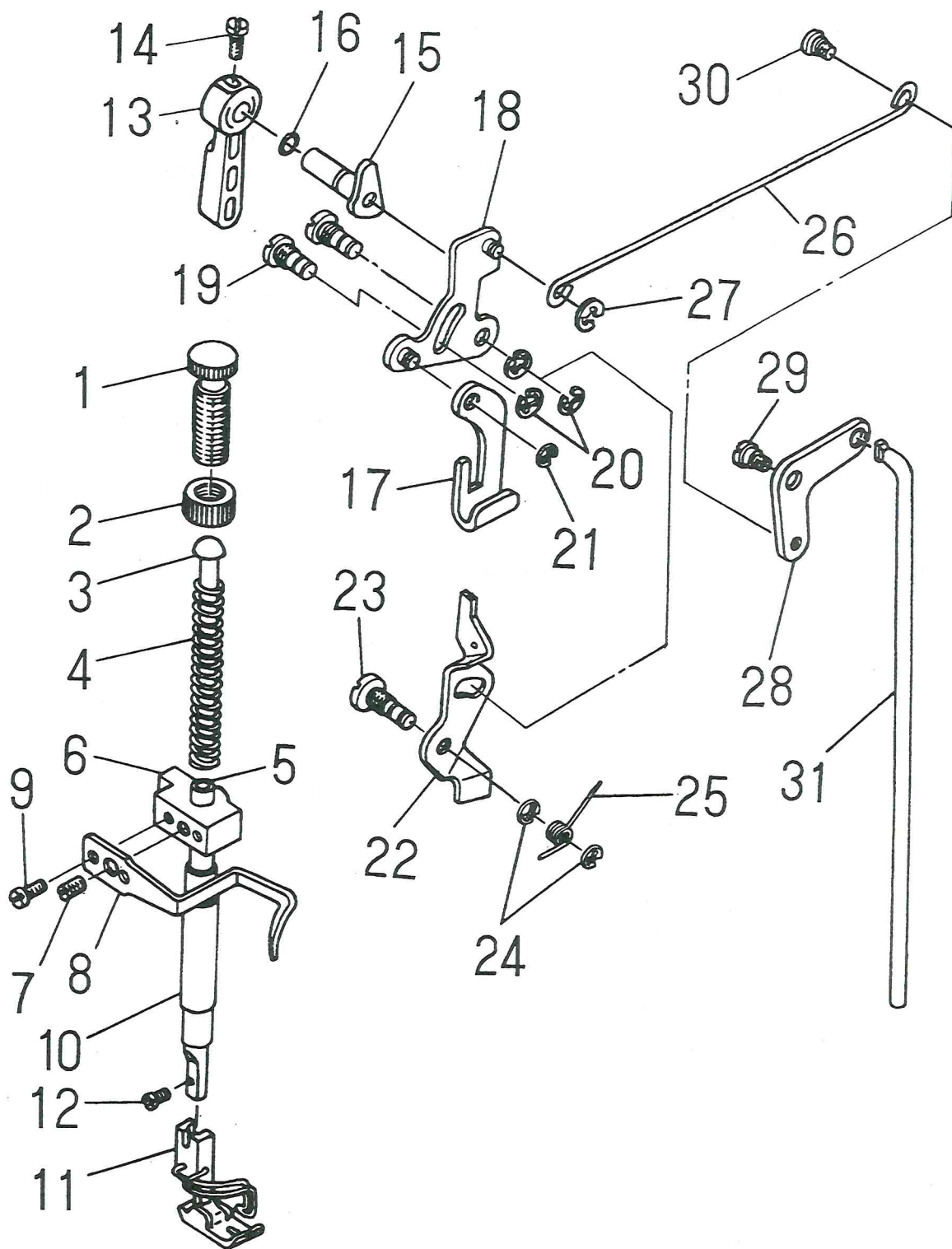


## 4. 压料分组件

## 4. Presser bar components

序号	件号	名 称	数量
Ref.No.	Part No.	Description	Amt.
1	GS0553	调压螺钉 ..... Presser spring regulator.....	1
2	GL0114	调压螺母 ..... Nut.....	1
3	GR1494	调压导杆 ..... Presser guide bar.....	1
4	GW253	调压簧 ..... Presser spring.....	1
5	GZ275	压杆 ..... Presser bar.....	1
6	GR3358	压杆导架 ..... Needle bar guide bracket.....	1
7	GS033	压杆导架螺钉 1/4-40 L=8..... Screw 1/4-40 L=8.....	1
8	GR3359	缓线调节钩 ..... Presser bar thread guide.....	1
9	GS0100	缓线调节钩螺钉 9/64-40 L=8.5..... Screw 9/64-40 L=8.5.....	2
10	GO273	压杆轴套 ..... Presser bar bushing lower.....	1
11	GM200/5	活压脚部件 ..... Presser foot asm. ....	1
12	GS020	活压脚螺钉 9/64-40 L=10.5..... Screw 9/64-40 L=10.5.....	1
13	GR3360	压脚扳手 ..... Hand lifter.....	1
14	GS0554	压脚扳手螺钉 ..... Screw.....	1
15	GR3361/2	压脚扳手凸轮部件 ..... Hand lifter cam asm. ....	1
16	GR1503	压脚扳手轴 O 形圈 ..... Rubber ring.....	1
17	GR3363	压脚升降板 ..... Lifting lever.....	1
18	GR3364/3	抬压脚前杠杆部件 ..... Hand lifter link asm. ....	1
19	GS0555	前杠杆螺纹销 ..... Link shaft.....	2
20	GR1510	螺纹销开口挡圈 ..... Snap ring.....	3
21	GR3366	升降板连接特制开口挡圈 ..... Lifting lever ring.....	1
22	GR3367	松线顶板 ..... Tension release plate.....	1
23	GS0556	松线顶板螺纹销 ..... Tension release shaft.....	1
24	GR1510	螺纹销开口挡圈 ..... Snap ring.....	2
25	GW433	松线顶板复位簧 ..... Tension release return spring.....	1
26	GR3368	抬压脚拉杆 ..... Lifting lever connecting rod.....	1
27	GR1510	拉杆开口挡圈 ..... Snap ring.....	1
28	GR3369	抬压脚后杠杆 ..... Lifting lever link.....	1
29	GS0557	后杠杆轴位螺钉 ..... Hinge screw.....	1
30	GS0558	抬压脚拉杆螺钉 ..... Hinge screw.....	1
31	GR3370	抬压脚顶杆 ..... Connecting rod vertical.....	1

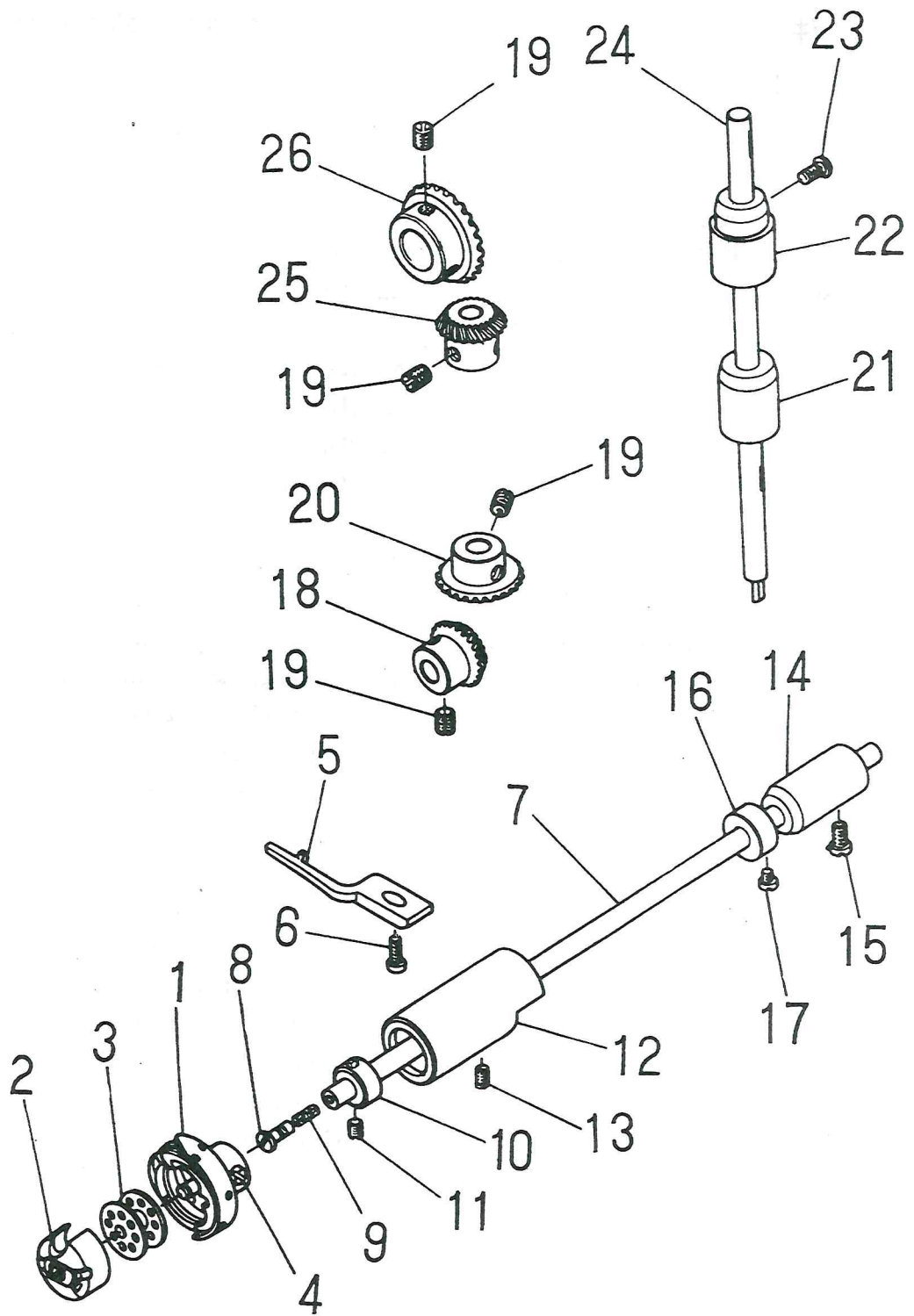




## 5. 勾线分组件

## 5.Hook driving shaft compinents

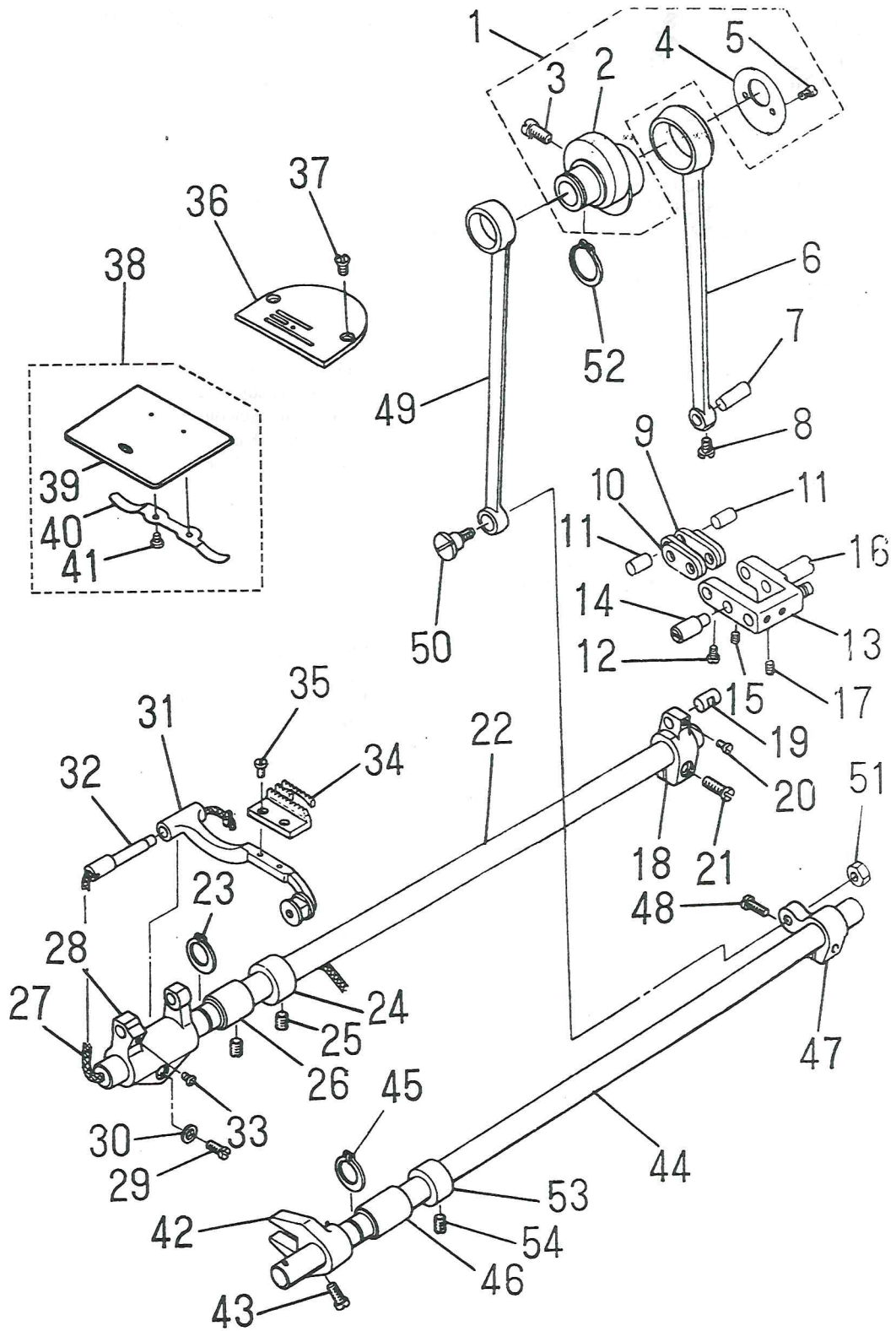
序号	件号	名 称		数量
Ref.No.	Part No.		Description	Amt.
1	GN161	旋梭 .....	Hook asm, .....	1
2	GN162	梭子 .....	Bobbin case asm, .....	1
3	GN163	梭心 .....	Bobbin.....	1
4	GS029	旋梭紧固螺钉 .....	Screw.....	2
5	GR3371	旋梭定位钩 .....	Positioning finger.....	1
6	GS030	旋梭定位钩螺钉 11/64-40 L=9.5.....	Screw 11/64-40 L=9.5.....	1
7	GZ434	下轴 .....	Hook driving shaft.....	1
8	GS031	下轴限油螺钉 .....	Oil seal screw.....	1
9	GR1515	下轴限油芯 .....	Oil wick.....	1
10	GR3372	下轴挡油圈 .....	Thrust collar.....	1
11	GS032	下轴挡油圈螺钉 11/64-40 L=3.5.....	Screw 11/64-40 L=3.5.....	2
12	GO331/3	下轴前轴套部件 .....	Bushing asm front.....	1
13	GS0559	下轴前轴套螺钉 .....	Screw.....	1
14	GO470	下轴后轴套 .....	Bushing, rear.....	1
15	GS053	下轴后轴套螺钉 12/64-28 L=9.....	Screw 12/64-28 L=9.....	1
16	GR1519	下轴挡圈 .....	Thrust collar asm, .....	1
17	GS082	下轴挡圈螺钉 11/64-40 L=4.8.....	Screw 11/64-40 L=4.8.....	2
18	GC165	下轴伞齿轮 (小) .....	Pinion asm, .....	1
19	GS033	伞齿轮螺钉 1/4-40 L=8.....	Screw 1/4-40 L=8.....	8
20	GC166	竖轴下伞齿轮 (大) .....	Gear asm, large.....	1
21	GO471	竖轴下轴套 .....	Upright shaft bushing,ower.....	1
22	GO472	竖轴上轴套 .....	Bushing, upper.....	1
23	GS053	竖轴上轴套螺钉 12/64-28 L=9.....	Screw 12/64-28 L=9.....	1
24	GZ435	竖轴 .....	Upright shaft.....	1
25	GC167	竖轴上伞齿轮 (小) .....	Pinion asm, .....	1
26	GC168	上轴伞齿轮 (大) .....	Gear asm, .....	1



## 6. 送料分组件

## 6.Feed mechanism components

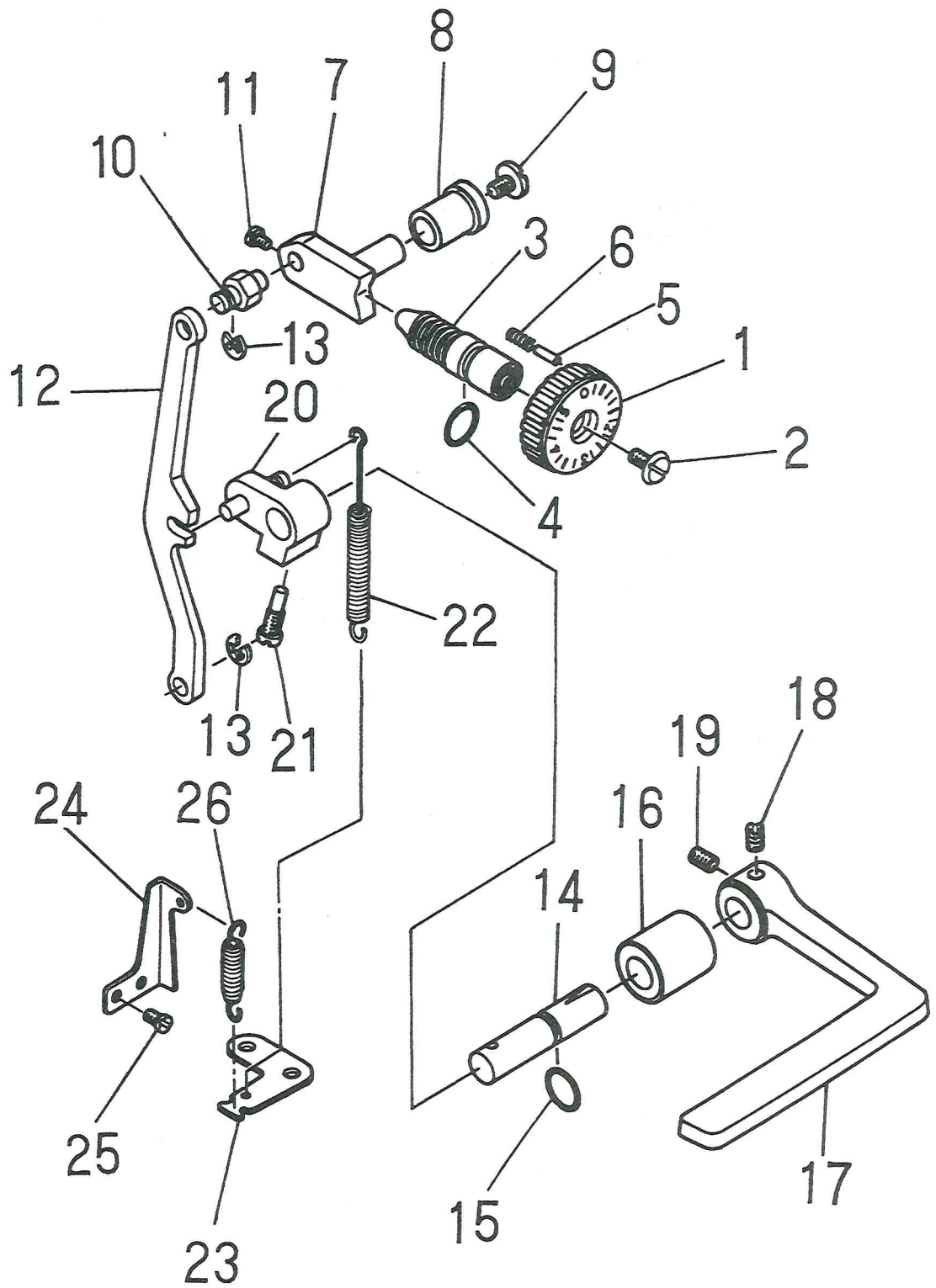
序号 Ref.No.	件号 Part No.	名 称	Description	数量 Amt.
1		送料偏心轮部件	Feed drive cccentric cam asm.	1
2	GT198	送料偏心轮	Feed drive cccentric cam	(1)
3	GS034	送料偏心轮螺钉 1/4-40 L=11	Scrcw 1/4-40 L=11	(2)
4	GR3373	送料偏心轮盖板	Thrust collar	(1)
5	GS011	偏心轮盖板螺钉 9/64-40 L=6	Screw 9/64 L=6	(2)
6	GH568	送料连杆	Rocker shaft conncting rod	1
7	GX570	送料连杆销	Walking foot pin	1
8	GS0560	送料连杆销螺钉 9/64-40 L=6	Screw 9/64-40 L=6	1
9	GR3374	送料长摆动板	Walking foot link	2
10	GR3375	送料短摆动板	Conncting link	2
11	GX571	短摆动板连接销	Walking foot pin	2
12	GS0560	连接销螺钉 9/64-40 L=6	Screw 9/64-40 L=6	2
13	GR3376/2	送料摆动板座部件	Walking foot adjusting link	1
14	GX573	送料摆动板座左销	Adjusting link fulcrum shaft	1
15	GS48	左销螺钉 15/64-28 L=7	Scrcw 15/64-28 L=7	1
16	GX573	送料摆动板座右销	Adjusting link fulcrum shaft	1
17	GS48	右销螺钉 15/64-23 L=7	Screw 15/64-28 L=7	1
18	GH569	送料曲柄	Feed rocker shaft crank asm	1
19	GX571	送料曲柄销	Walking foot pin	1
20	GS0560	曲柄销螺钉 9/64-40 L=6	Scrcw 9/64-40 L=6	1
21	GS0561	送料曲柄销螺钉 3/16-28 L=14	Scrcw 3/16-28 L=14	1
22	GZ436	送料轴	Feed rocker shaft	1
23	GR1524	送料轴轴用挡圈	Retaining ring	1
24	GR1469	送料轴挡圈	Thrust collar asm	1
25	GS39	送料轴挡圈螺钉 1/4-40 L=6	Screw 1/4-40 L=6	2
26	GO473	送料轴前轴套	Fccd tocker shaft bushing	1
27	GR3378	送料轴油线	Oil wick	1
28	GR3379	牙架座	Feed rockcr asm	1
29	GS69	牙架座螺钉 3/16-28 L=14	Screw 3/16-28 l=14	1
30	GR1528	牙架座螺钉垫圈	Washer	1
31	GR3380/5	牙架部件	Feed bar asm	1
32	GX575	牙架销	Feed bar shaft	1
33	GS092	牙架销螺钉 11/64-40 L=7	Screw 11/64-40 L=7	1
34	GM201	送料牙	Feed dog	1
35	GS072	送料牙螺钉 1/8-44 L=6	Screw 1/8-44 L=6	2
36	GM202	针板	Throat platc	1
37	GS044	针板螺钉 11/64-40 L=8.5	Screw 11/64-40 l=8.5	2
38	GM340/4	推板部件	Bed slide asm	1
39	GM204	推板	Slide plate	(1)
40	GW434	推板簧	Bed slide spring	(1)
41	GS045	推板簧螺钉 3/32-56 L=1.9	Screw 3/32-56 L=1.9	(2)
42	GH570	抬牙叉形曲柄	Driving shaft crank asm. front	1
43	GS037	抬牙叉形曲柄螺钉 11/64-40 L=10.5	Screw 11/64-40 L=10.5	1
44	GZ437	抬牙轴	Feed driving shaft	1
45	GR1524	抬牙轴轴用挡圈	Retaining ring	1
46	GO336	抬牙轴前轴套	Feed rocker shaft bushing	1
47	GH571	抬牙后曲柄	Rear crank asm	1
48	GS0561	抬牙后曲柄螺钉 3/16-28 L=12	Screw 3/16-28 L=12	1
49	GH572	抬牙连杆	Connecting rod	1
50	GS0562	抬牙连杆轴位螺钉	Hinge screw	1
51	GL7	抬牙连杆轴位螺母 9/32-28	Nut 9/32-28	1
52	GR1535	抬牙连杆轴用挡圈	Snap ring	1
53	GR1469	抬牙轴挡圈	Thrust collar asm	1
54	GS39	抬牙轴挡圈螺钉 1/4-40 L=6	Sxrew 1/4-40 L=6	2



## 7. 送料调节分组件

## 7.Feed regulating components

序号	件号	名称		数量
Ref.No.	Part No.	Description		Amt.
1	GR3382	送料距旋钮 .....	Feed dial.....	1
2	GS0563	送料距旋钮螺钉 .....	Screw.....	1
3	GS0564	送料调节螺柱 .....	Feed regulator screw.....	1
4	GR3383	送料调节螺柱 O 形圈 .....	Rubber ring.....	1
5	GX576	送料距锁合销 .....	Pin.....	1
6	GW257	送料距锁合簧 .....	Spring.....	1
7	GR3384	送料调节器 .....	Feed regulator.....	1
8	GO474	送料调节器轴套 .....	Feed regulator bushing.....	1
9	GS0565	送料调节器轴端螺钉 .....	Screw.....	1
10	GX577	倒送料连杆销 .....	Feed regulator pin.....	1
11	GS011	连杆销螺钉 9/64-40 L=6.....	Screw 9/64-40 L=6.....	2
12	GH573	倒送料连杆 .....	Feed regulator connecting rod.....	1
13	GR1510	倒送料连杆挡圈 .....	Snap ring.....	2
14	GZ438	倒送料轴 .....	Feed reverse shaft.....	1
15	GR3385	倒送料轴 O 形圈 .....	Rubber ring.....	1
16	GO475	倒送料轴轴套 .....	Feed lever metal.....	1
17	GR3386	倒送料扳手 .....	Reverse feed control lever.....	1
18	GS050	倒送料扳手定位螺钉 1/4-40 L=10.....	Screw 1/4-40 L=10.....	1
19	GS033	倒送料扳手螺钉 1/4-40 L=8.....	Screw 1/4-40 L=8.....	1
20	GH574/2	倒送料曲柄部件 .....	Feed reverse arm asm. ....	1
21	GS0566	倒送料曲柄螺钉 .....	Feed reverse arm screw.....	1
22	GW435	倒送料拉簧 .....	Feed reverse spring.....	1
23	GR3387	拉簧固定板 .....	Feed spring hook.....	1
24	GR3388	摆动板座复位板 .....	Adjusting link spring guide.....	1
25	GS0567	复位板螺钉 11/64-40 L=5.....	Screw 11/64-40 L=5.....	2
26	GW436	摆动板座复位簧 .....	Adjusting link spring.....	1

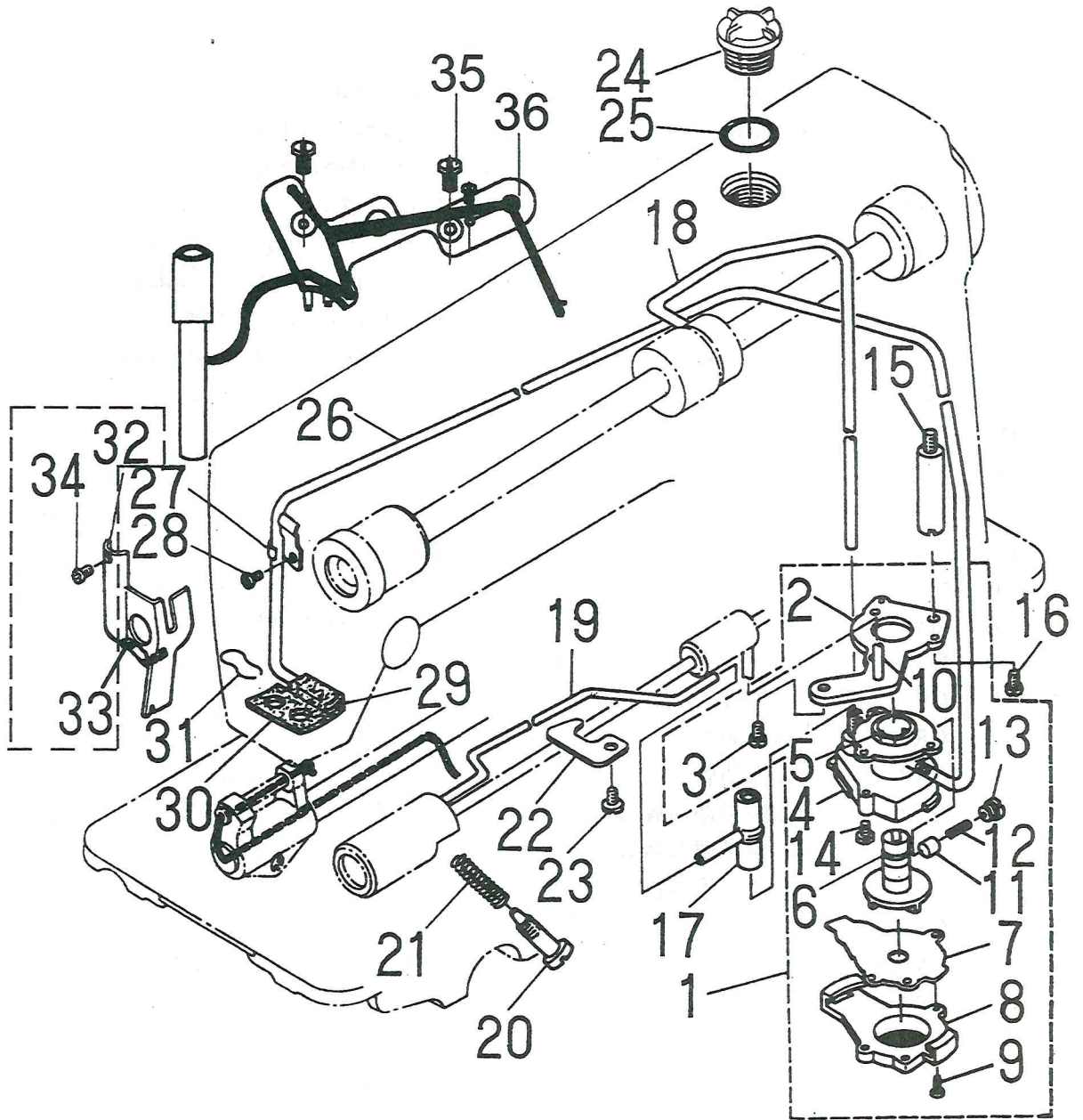


## 8. 润滑分组件

## 8.Lubrication components

序号	件号	名 称	数量
Ref.No.	Part No.	Description	Amt.
1	GR3389/12	油泵部件 .....	Lubricating oil pump asm. .... 1
2	GR3390	油泵安装板 .....	Oil pump installing base..... (1)
3	GS0568	油泵安装螺钉 15/64-28 L=9.....	Screw 15/64-28 L=9..... (3)
4	GR3391	油泵体 .....	Oil pump..... (1)
5	GO476	油泵体衬套 .....	Oil pump bushing..... (1)
6	GR3392	油泵叶轮 .....	Oil pump impeller..... (1)
7	GR3393	油泵叶轮托板 .....	Oil pump impeller cover..... (1)
8	GR3394	油泵盖 .....	Lubricating oil pump cover..... (1)
9	GS554	油泵盖螺钉 .....	Screw..... (3)
10	GR3395	下轴供油管 .....	Hook driving shaft oil tube..... (1)
11	GR3396	回油柱塞 .....	Plunger..... (1)
12	GW437	柱塞簧 .....	Plunger spring..... (1)
13	GS0569	柱塞螺钉 .....	plunger screw..... (1)
14	GS062	油泵螺钉 .....	Screw..... (1)
15	GS0567	油泵连接螺柱 .....	Oil pump support..... 1
16	GS030	螺柱连接螺钉 11/64-40 L=9.5 .....	Screw 11/64-40 L=9.5..... 1
17	GR3397	供油管接头 .....	Rubber joint..... 1
18	GR3398	上轴供油管 .....	Main shaft oil tube..... 1
19	GR3399	旋梭供油管 .....	Oil tube..... 1
20	GS054	旋梭油量调节螺钉 .....	Oil adjusting screw..... 1
21	GW259	旋梭油量调节簧 .....	Spring..... 1
22	GR3400	旋梭供油管压板 .....	Tube holder (lower)..... 1
23	GS062	压板螺钉 15/64-28 L=9.....	Screw 15/64-28 L=9..... 1
24	GR1561	油窗 .....	Oil sight window..... 1
25	GR1562	油窗 O 形圈 .....	Rubber ring..... 1
26	GR3401	回油管 .....	Oil return tube..... 1
27	GR1566	回油管夹 .....	Oil return tube holder..... 1
28	GS0551	回油管夹螺钉 3/16-28 L=6.....	Screw 3/16-28 L=6..... 1
29	GR1567	回油除尘毡 .....	Anti-dust oil felt..... 1
30	GR1568	回油毡 .....	Oil felt..... 1
31	GR1569	回油毡夹 .....	Oil felt presser..... 1
32	GR3403	面部防油板 .....	Arm oil shield..... 1
33	GR3404	防油板油线 .....	Oil wick..... 1
34	GS44	防油板螺钉 1/8-44 L=4.....	Screw 1/8-44 L=4..... 1
35	GS0835	油线固定板螺钉 .....	Oil wick setplate screw..... 2
36	GR0836	油线固定板组件 .....	Oil wick setplate asm..... 1

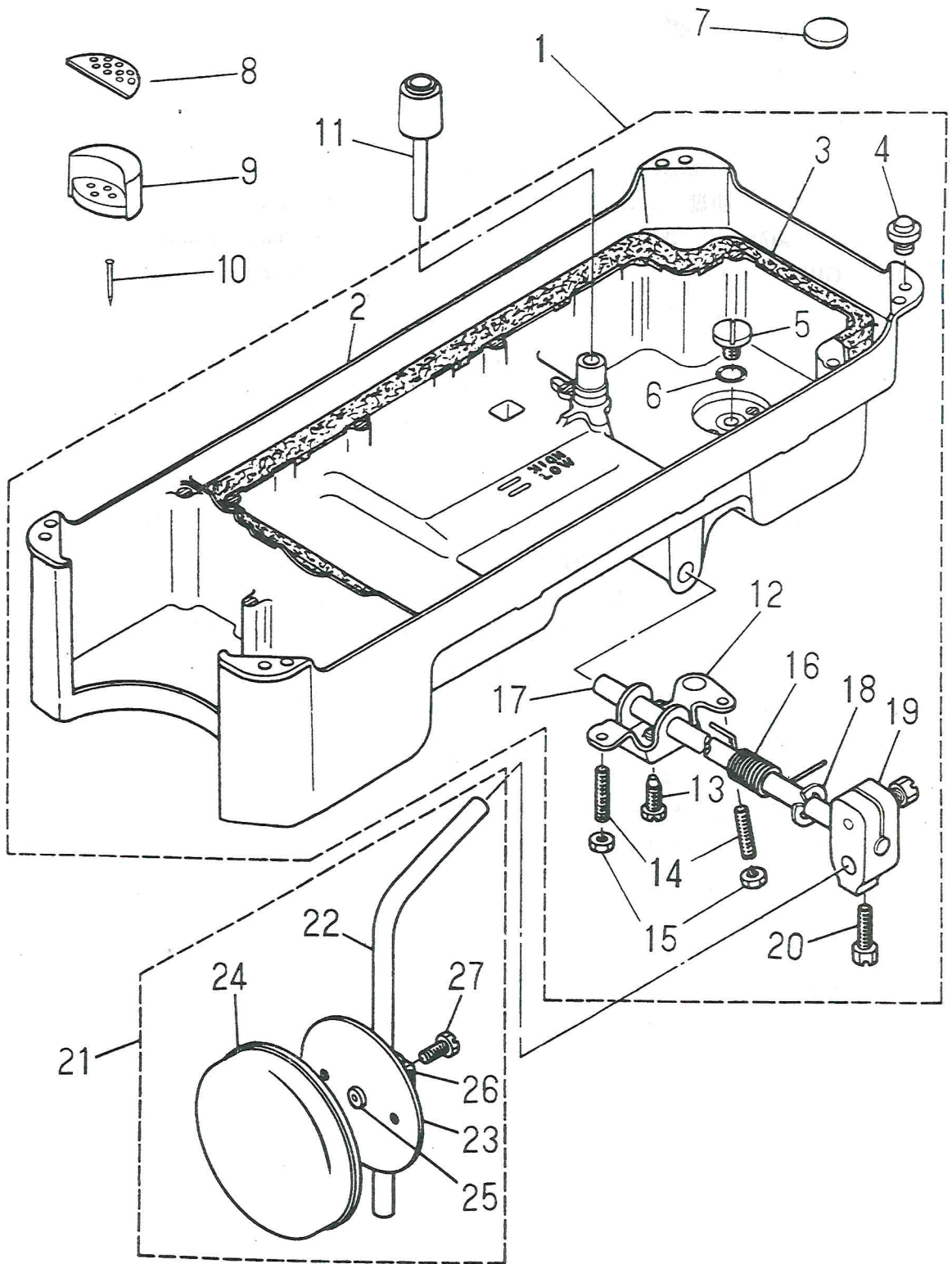




## 9. 油盘、膝抬压脚部分组件

## 9.Oil reservoir &amp; knee lifter components

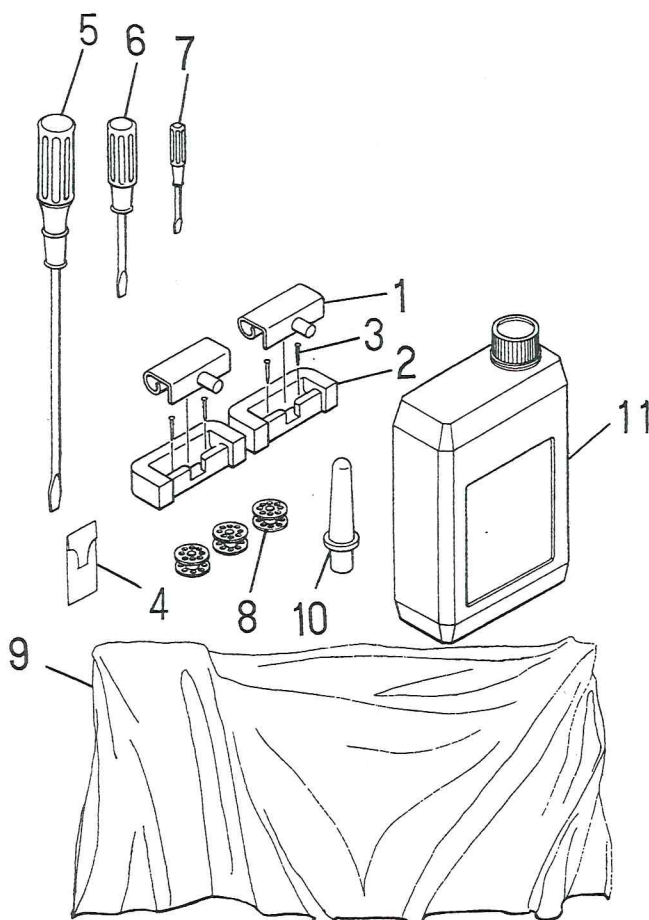
序号	件号	名	称	数量
Ref.No.	Part No.	Description		Amt.
1	GR3405/17	油盘部件 .....	Oil reservoir asm. ....	1
2	GR3406	油盘 .....	Oil reservoir.....	(1)
3	GR3407	油盘垫 .....	Gasket.....	(1)
4	GR3408	机头座垫 .....	Rubber cushion.....	(4)
5	GS0571	排油孔螺钉 .....	Screw.....	(2)
6	GR3409	排油孔螺钉 O 型圈 .....	Rubber ring.....	(2)
7	GR1576	油盘磁铁 .....	Oil reservoir magnet.....	1
8	GR1578	油盘座垫 .....	Oil reservoir felt cushion.....	2
9	GR1579	油盘支架 .....	Oil reservoir rubber cushion....	2
10	GBX108	油盘座钉 .....	Nail.....	4
11	GH579	抬压脚顶销 .....	Knee press lifter rod.....	1
12	GH576	抬压脚双向曲柄 .....	Connecting rod, vertical.....	1
13	GS0572	双向曲柄螺钉 .....	Screw.....	1
14	GS057	双向曲柄限位调节螺钉 15/64-28L=30 .....	Screw 15/64-28 l=30.....	2
15	GL21	双向曲柄限位调节螺母 15/64-28.....	Nut 15/64-28.....	2
16	GW438	双向曲柄扭簧 .....	Spring.....	1
17	GZ439	抬压脚轴 .....	Knee press rod.....	1
18	GR1583	抬压脚轴开口挡圈 .....	Snap ring.....	1
19	GR3410	抬压脚操纵杆节头 .....	Bearing bracket.....	1
20	GS0573	操纵杆节头螺钉 9/32-20 L=20.....	Screw 9/32-20 l=20.....	2
21	GR3411/6	操纵杆部件 .....	Knee press plate asm. ....	1
22	GR1586	操纵杆 .....	Knee lifter plate rod.....	1
23	GR3412	操纵板 .....	Knee press plate .....	1
24	GKR13	操纵板软垫 .....	Knee press plate cover.....	1
25	GR3413	操纵杆垫 .....	Rubber.....	1
26	GR3414	操纵杆节头 .....	Knee press plate holder.....	1
27	GS584	节头螺钉 15/64-28 L=15.....	Screw 15/64-28 l=15.....	1



10. 机头附件(1)

10.Machine head accessories(1)

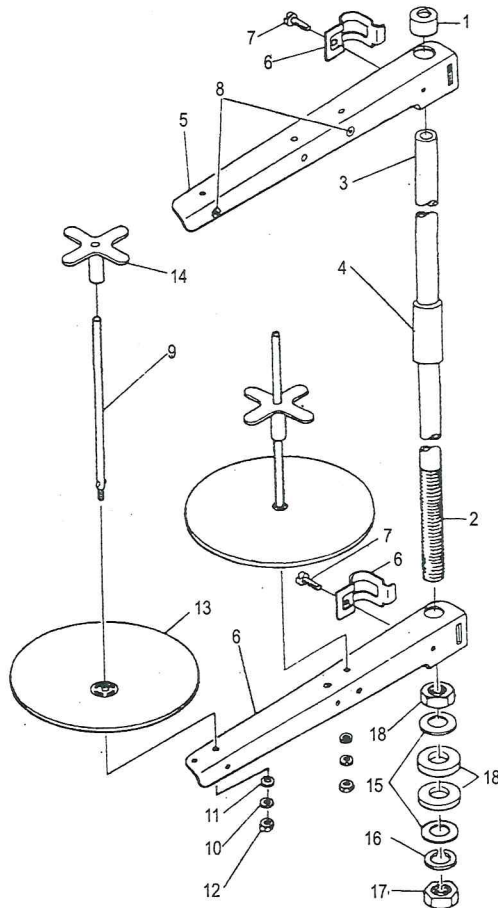
序号	件号	名 称	数量
Ref.No.	Part No.	Description	Amt.
1	GR1590/2	机头连接钩部件 .....	Machine hinge plate asm. .... 2
2	GBX105	机头连接钩座 .....	Machine hinge plate..... 2
3	GK241	机头连接钩座钉 .....	Nail..... 4
4	GV15	机针 .....	Needle.....1 包
5	GR1610	螺丝刀 (大) .....	Screw driver, large..... 1
6	GR1602	螺丝刀 (中) .....	Screw driver, mendium..... 1
7	GR1603	螺丝刀 (小) .....	Screw driver, small..... 1
8	GN163	梭心 .....	Bobbin..... 3
9	GF424	机头罩 .....	Machine head cover ..... 1
10	GBR148	机头支柱 .....	Machine rest pin ..... 1
11	GR1604/3	油箱部件 .....	Oil reservoir asm. .... 1



### 机头附件(2)

### Machine head accessories(2)

序号 Ref.No.	件号 Part No.	名 称	Description	数量 Amt.
1	GR1744	线架杆顶防护橡皮.....	Spool rest rod rubber cap.....	1
2	GZ315	线架杆下节.....	Spool rest rod (lower).....	1
3	GZ316	线架杆上节.....	Spool rest rod (upper).....	1
4	GR1932	线架杆接头.....	Spool rested joint.....	1
5	GR1825	线架过线杆.....	Thread guide asm. ....	2
6	GR1745	线架过线夹.....	Thread guide asm joint.....	2
7	GS558	线架过线夹螺钉.....	Screw.....	2
8	GR1748	过线圈.....	Thread guide ring.....	2
9	GS067	线盘钉.....	Spool pin.....	2
10	GR1625	线盘钉弹簧垫圈.....	Spring washer.....	2
11	GR1626	线盘钉垫圈.....	Washer.....	2
12	GL23	线盘钉螺母.....	Nut.....	2
13	GR1811	线盘.....	Spool rest.....	2
14	GR1215	线团防松垫.....	Spool vibration stopper.....	2
15	GR1696	线架杆紧固螺母垫圈.....	Washer.....	2
16	GR1751	紧固螺母弹簧垫圈.....	Spring washer.....	1
17	GL158	线架杆紧固螺母.....	Nut.....	2
18	GR1753	线架杆防震橡皮圈.....	Rubber washer.....	2



11. 机架、台板、电器分组件\* 11. Machine stand, table & electric appliance components\*

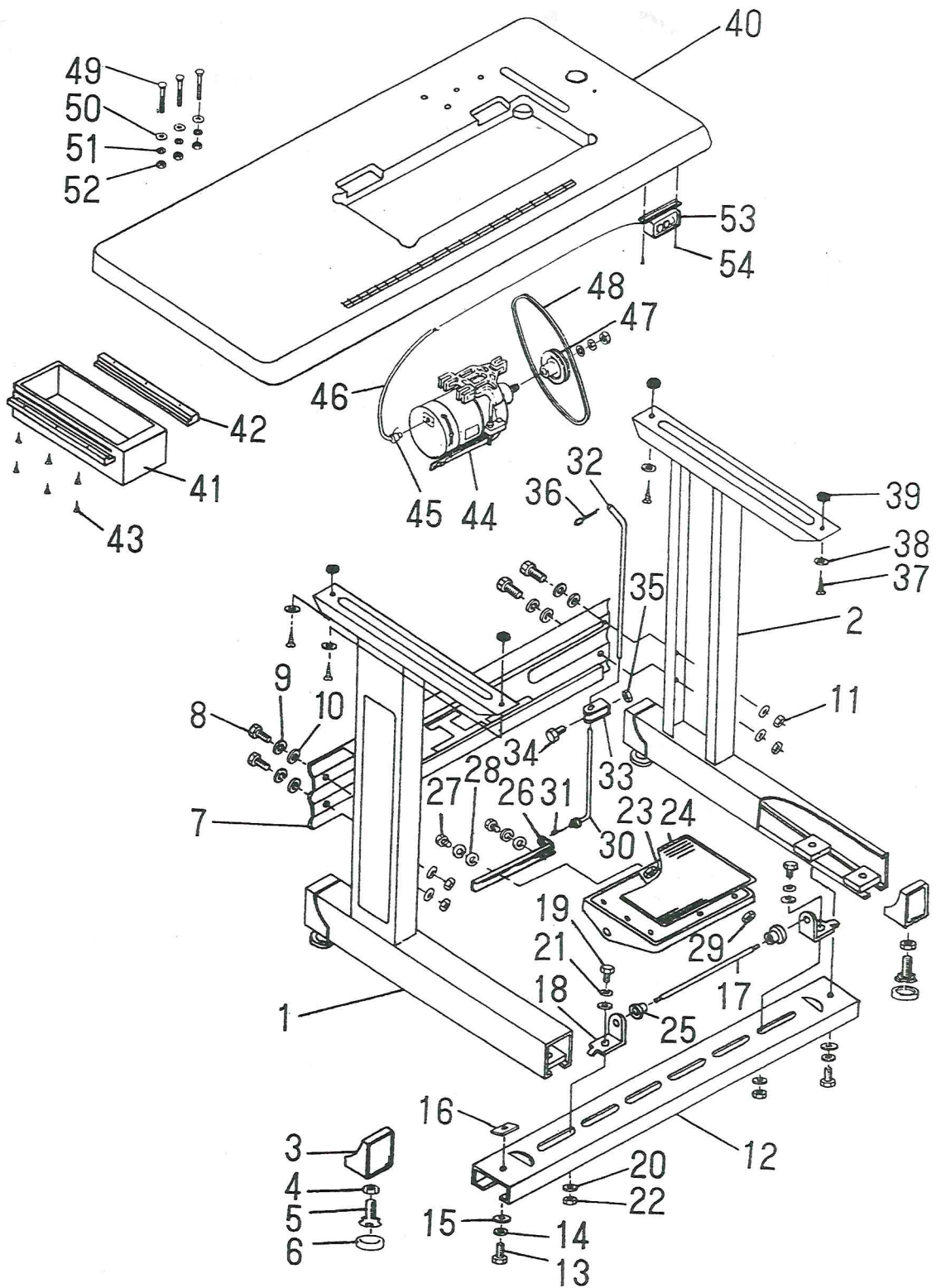
序号 Ref.No.	件号 Part No.	名 称	Description	数量 Amt.
1	GKR302/5	边架部件(左).....	Stand side asm. left.....	1
2	GKR305/5	边架部件(右).....	Stand side asm. right.....	1
3	GKR318	边架座套.....	Rubber cushion.....	4
4	GKL104	调节座螺母.....	Nut.....	4
5	GKR196/2	调节座.....	Screw.....	4
6	GKR198	调节座胶垫.....	Space ring.....	4
7	GKR309	横挡.....	Stand side support.....	1
8	GKS110	横挡连接螺钉.....	Screw.....	4
9	GKR106	边架柱弹簧垫圈.....	Spring washer.....	4
10	GKR122	边架柱垫圈.....	Washer.....	4
11	GKL101	横挡固定螺母.....	Nut.....	8
12	GKR310	踏板轴挡.....	Treadle brace.....	4
13	GKS110	踏板轴挡螺钉.....	Screw.....	1
14	GKR106	踏板轴挡弹簧垫圈.....	Spring washer.....	2
15	GKR122	踏板轴挡垫圈.....	Washer.....	2
16	GKR311	踏板轴挡定位螺母板.....	Treadle brace locknut plate.....	2
17	GKX301	踏板轴.....	Treadle shaft.....	1
18	GKR317	踏板轴座.....	Treadle bracket.....	2
19	GKS110	踏板轴座螺钉.....	Screw.....	2
20	GKR122	踏板轴座垫圈.....	Washer.....	2
21	GKR106	踏板轴座弹簧垫圈.....	Spring washer.....	4
22	GKL101	踏板轴座螺母.....	Nut.....	2
23	GKR312	踏板.....	Trcable.....	1
24	GKR313	踏板垫.....	Gas Ket.....	1
25	GKR314	踏板衬套.....	Collar.....	2
26	GKR315	踏板杠杆.....	Treadle pitman.....	1
27	GKS102	踏板杠杆螺钉.....	Screw.....	2
28	GKR112	踏板杠杆垫圈.....	Washer.....	4
29	GKL102	踏板杠杆螺母.....	Nut.....	2
30	GKR316	下拉杆.....	Pitman rod, lower.....	1
31	GKW301	拉杆弹簧.....	Spring.....	1
32	GKR118	上拉杆.....	Pitman rod, upper.....	1
33	GKR183	拉杆接头.....	Joint.....	1
34	GKS110	拉杆接头螺钉.....	Joint screw.....	1
35	GKL101	拉杆接头螺母.....	Joint nut.....	1
36	GKX101	上拉杆开口销.....	Pitman rod split pin (upper).....	1
37	GBS114	台板木螺钉.....	Table wood screw.....	4
38	GKR112	台板木螺钉垫圈.....	Table wood screw washer.....	4
39	GKR186	台板垫圈.....	Table washer.....	4
40	GBR150	台板.....	Table.....	1
41	GBR151	抽斗.....	Drawer.....	1
42	GBR152	抽斗导轨.....	Drawer rail.....	2
43	GBS121	抽斗导轨木螺钉.....	Drawer rail wood screw.....	6
44	GD234	GFC4024 型电机.....	Motor GFC4024 motor.....	1
45	GD219	电机接线插头.....	Motor connecting wire plug.....	1
46	GD108	电机接线.....	Motor wire.....	1
47	GD233	电动机带轮.....	Motor pulley.....	1
48	GE122	机头传动带.....	Machine driving beit.....	1
49	GKS122	电机台板连接螺钉.....	Motor & table connecting screw.....	3
50	GKR209	电机台板连接垫圈.....	Motor & table connecting washer.....	3
51	GKR106	电机台板连接弹簧垫圈.....	Motor & table connecting spring washer.....	3
52	GKL101	电机台板连接螺母.....	Motor & table connecting nut.....	3
** 53	GD227	电源开关.....	Power source switch.....	1
54	GBS104	电源开关木螺钉.....	Power source switch wood screw.....	2

\* 本分组件需另行订购。

\* Nate that parts above mentioned shall be purchased in a separate order.

\*\* 用 GD236 带轮

\*\*Part No, GD236 Motor pulley is for Model



## 厚料用

## For Heavy Weight Materials

序号	件号	名称	数量
Ref.No.	Part No.	Description	Amt.
1	GH579/3	挑线杆部件..... Link thread take-up lever asm. ...	1
2	GH580	挑线杆曲柄..... Needle bar crank H..... (1)	(1)
3	GR1644	过线钉..... Thread guide pin.....	1
4	GO288	针杆下轴套..... Needle bar bushing, lower.....	1
5	GR1632	针杆下轴套线钩..... Needle bar thread guide.....	1
6	GZ441	针杆..... Needle bar.....	1
7	GR3431	针杆线钩..... Needle bar thread guide.....	1
8	GV17	机针(DB×1#21)..... Needle (DB × 1#21).....	1
9	GW269	调压簧..... Presser spring.....	1
10	GR3433/10	夹线器部件..... Thread tension asm. ....	1
11	GW268	夹线簧..... Tension spring.....	1
12	GR3432	右线钩..... Arm thread guide (HA).....	1
13	GW440	摆动板座复位簧..... Adjust link spring.....	1
14	GR3434	旋梭定位钩..... Positioning finger.....	1
15	GM210	针板..... Throat plate(H).....	1
16	GM209	送料牙..... Feed dog(H).....	1
17	GM208/5	活压脚板部件..... Hinged presser foot asm.....	1
18	GR1646	活压脚板..... Presser foot asm.....	1
19	GN197	旋梭..... Lubricating bobbin asm.....	1
20	GS069	防油板螺钉1/8-44L=2.5..... Screw 1/8-44 L=25.....	1
21	GR3435	拉簧固定板..... feed spring hook.....	1