



ISO9001 认证

CE

国家高新技术企业

清洁生产

JK- 58420
58450

Parts Manual

零件手册

 **杰克缝纫机**
JACK SEWING MACHINE
| [HTTP://WWW.CHINAJACK.COM](http://www.chinajack.com) |

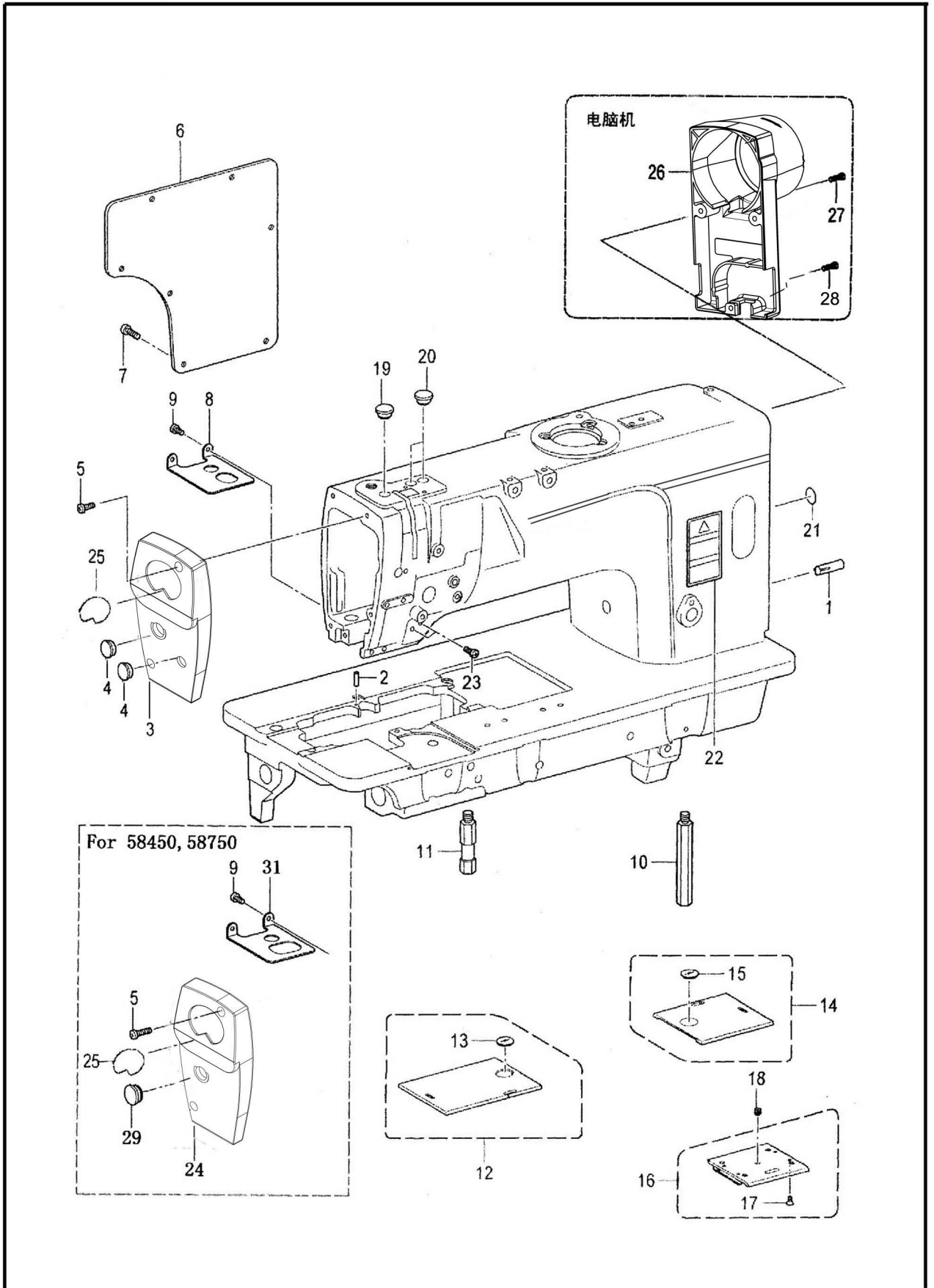
零件样本

PARTS BOOK

零件样本/PARTS BOOK

A. 机体部件 / Machine body	1
B. 上轴装置 / Upper shaft mechanism	3
C-1. 针杆摆动装置 / Needle bar rocking mechanism(58420,58720)	7
C-2. 针杆摆动装置 / Needle bar rocking mechanism(58450/58750)	9
D. 针杆切换装置 / Needle bar flip-up mechanism(58450,58750)	11
E. 压脚装置 / Presser foot mechanism	13
F. 送布装置 / Feed mechanism	15
H. 送布轴装置 / Feed shaft mechanism	19
J. 定规部件 / Gauge parts	21
N. 下轴装置 / Lower shaft mechanism	21
K1. 旋梭装置 / Rotary hook mechanism	23
L. 供油润滑装置 / Lubrication	27
M. 穿线装置 / Thread mechanism	31
P. 卷线装置 / Bobbin winder mechanism	33
Q. 切线装置 D4 / Thread trimmer mechanism D4	35
S1. 扫线装置 D4 / Thread wiper mechanism D4	39
S2. 倒缝装置 D4 / Quick reverse mechanism D4	41
T1. 马达与安全开关装置 D4 / Motor and safety switch mechanism D4	43
U. 倒缝开关装置 D4 / Quick reverse switch mechanism D4	45
W1. 自动抬压脚 (选购件 1) / Auto lifter components (optional)	47
W2. 自动抬压脚 (选购件 2) / Auto lifter components (optional)	49
Z. 附件 / Accessories	51
针位组零件明细表 / Gauge parts list (58420/58720)	55
针位组零件明细表 / Gauge parts list (58420D/58720D/58450D/58750D)	56

A. 机体部件/Machine body

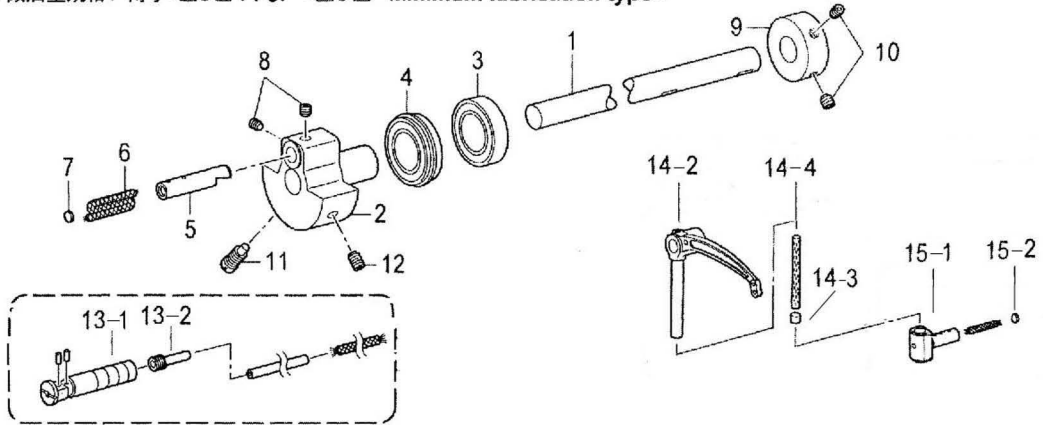


A. 机体部件/Machine body

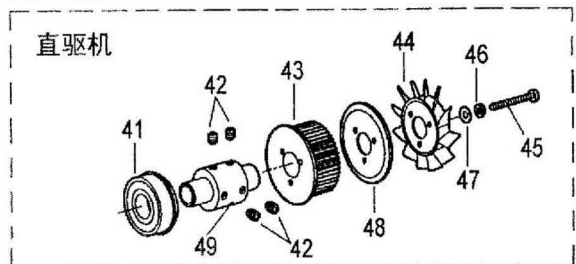
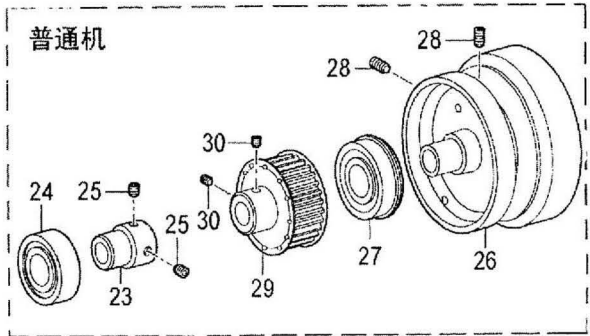
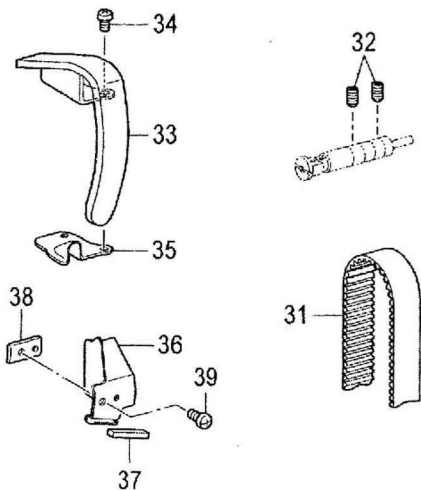
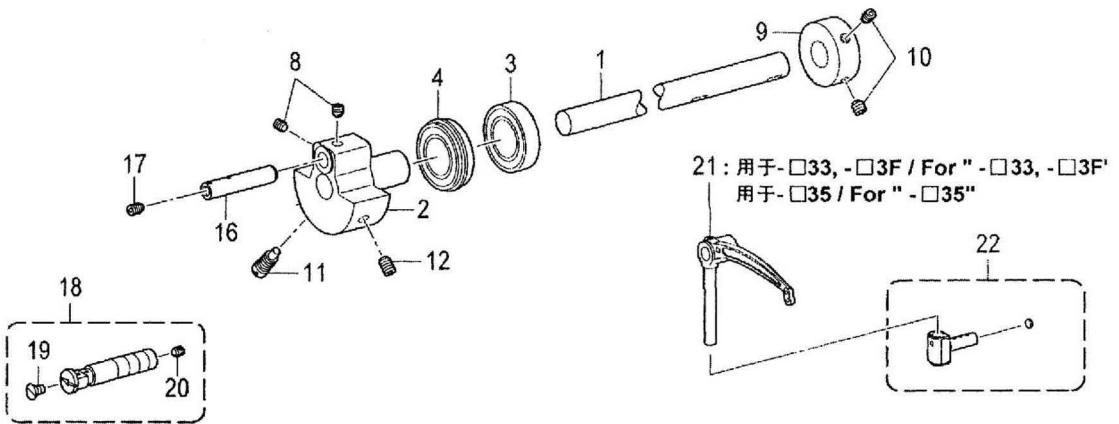
序号 No.	件号 Part No.	参考件号 Ref.Part No.	零部件名称	Name of parts	数量 Amt.			备注
					□□3	□□5	□□F	
1	12926001	140063001	带槽销	Dowel pin	1	1	1	
2	12926002	SA3924001	定位销	Positioning pin	1	1	1	
3	12911307	SA2440001	面板	Face plate	1	1	1	58420, 58720
4	12922001	SA2929001	橡皮塞 12.5	Rubber cap, 12.5	2	2	2	58420, 58720
5	S04032	062501416	螺钉 M5×14	Screw, pan M5×14	2	2	2	
6	301078	SA2441001	后窗板	Rear cover	1	1	1	
7	S04029	062501216	螺钉 M5×12	Screw, pan M5×12	7	7	7	
8	12912003	SA2443101	防尘板	Dust protector	1	1	1	58420, 58720
9	S04030	062500616	螺钉 M5×6	Screw, pan M5×6	2	2	2	
10	129S30001	SA2444101	脚柱 L	Bed leg, L	1	1	1	
11	129S30002	SA2445101	脚柱 S	Bed leg, S	1	1	1	
12	12915005	SA2447001	推板LA组件	Slide plate, LA assy	1	1	1	
13	12911001	SA2479001	推板窗	Bobbin window	1	1	1	
14	12915006	SA2449001	推板R组件	Slide plate, R assy	1	1	1	
15	12911001	SA2479001	推板窗	Bobbin window	1	1	1	
16	1291500300	S36663051	前推板组件	Slide plate f assy	1	1	1	
17	129S15001	S34438051	螺钉 SM3. 18-40×4	Screw, flat SM3. 18-40×4	4	4	4	
18	129S17001	116010001	螺钉 SM5. 16-40×4	Screw, flat SM5. 16-40×4	1	1	1	
19	12922001	SA2929001	橡皮塞 12.5	Rubber cap, 12.5	1	1	1	58420, 58720
20	12922001	SA2929001	橡皮塞 12.5	Rubber cap, 12.5	2	2	2	
21	11237002	S37060001	接地标记	Label, grounding	1	1	1	
22	11237001		警告标记	Safety label	1	1	1	
25	30337001		商标牌	Plate with trademark	1	1	1	
26	12901311	SA2442101	马达罩	Motor cover	1	1	1	直驱/Direct drive
27	S04091	062501416	螺钉 M5×22	Screw, pan M5×22	2	2	2	直驱/Direct drive
28	S04032	062501016	螺钉 M5×14	Screw, pan M5×14	1	1	1	直驱/Direct drive
23	S04028	062500816	螺钉 M5×8	Screw, pan M5×8	2	2		58450, 58750
24	12911306	SA4364101	面板	Face plate	1	1		58450, 58750
29	12422001	104449001	橡皮塞 15.5	Rubber cap, 15.5	1	1		58450, 58750
31	12912083	SA4370101	防尘板	Dust protector	1	1		58450, 58750

B. 上轴装置/Upper shaft mechanism

< 微油型规格，用于-□0□ / For "-□0□" Minimum lubrication type >



< 针杆无油型规格，用于-□3□ / For "-□3□" Semi dry type >

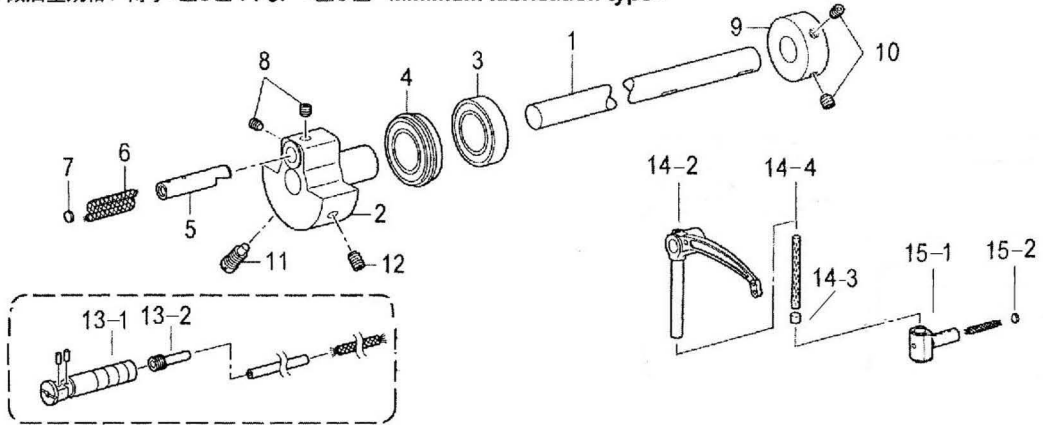


B. 上轴装置/Upper shaft mechanism

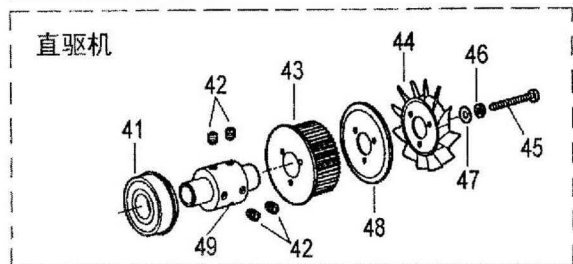
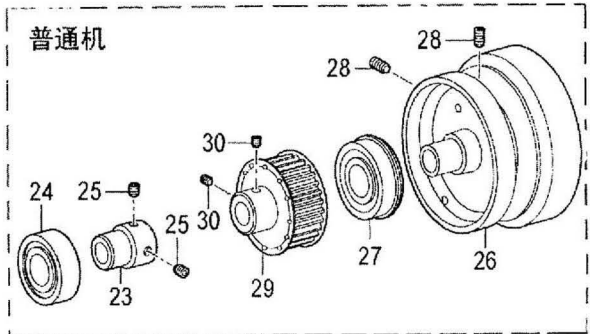
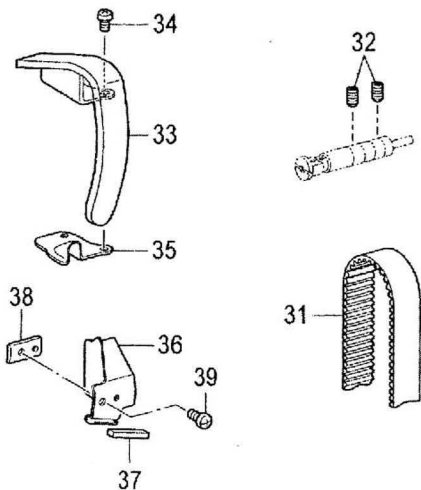
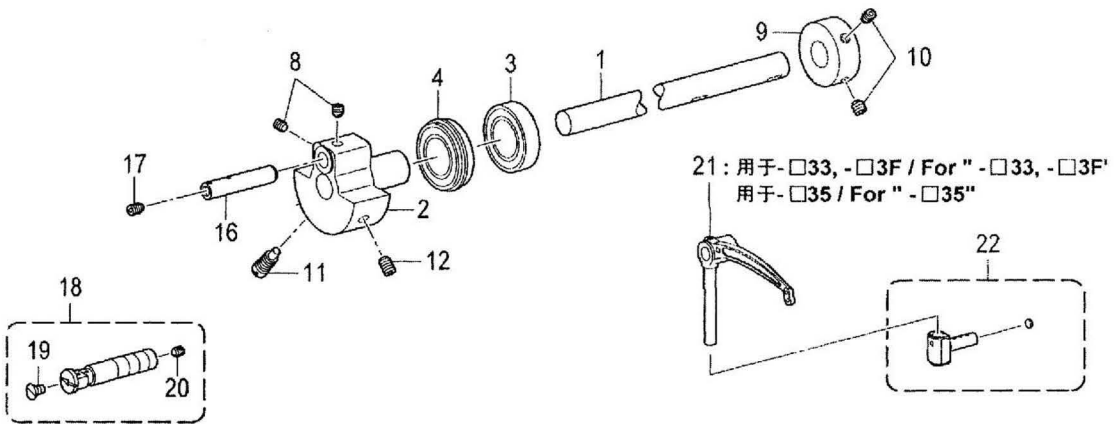
序号 No.	件号 Part No.	参考件号 Ref.Part No.	零部件名称	Name of parts	数量 Amt.			备注
					□□3	□□5	□□F	
1	12902001	SA2746201	上轴 ST	Upper shaft ,ST	1	1	1	58420/58720
	12902001	SA2746201	上轴 ST	Upper shaft ,ST	1	1	1	58450/58750
	12902303	SA4551001	上轴 DD	Upper shaft ,DD	1	1	1	58420D/58720D
	12902303	SA4551001	上轴 DD	Upper shaft ,DD	1	1	1	58450D/58750D
2	12904001	SA4089001	挑线杆曲柄	Thread takeup crank	1	1	1	58420/58720
	12904006	SA4373001	挑线杆曲柄	Thread takeup crank	1	1		58450/58750
3	B04022	S25234001	球轴承 6004ZZ	Ball bearing, 6004ZZ	1	1	1	
4	B10002	S38707001	球轴承 6004ZZNR	Ball bearing, 6004ZZNR	1	1	1	
5	12926201	SA6166001	针杆曲柄轴	Crankshaft, NBAR	1	1		
6	12923019	117006001	油线 6×6 L=60	Wick, 6×6 L=60	1	1	1	
7	11626003	113014000	油线盖	Pusher	1	1	1	
8	S10017	S25260001	固定螺钉 M6×0.75	Set screw, socket (ft)M6×0.75	2	2	2	
9	12908001	SA1120001	卷线驱动轮	Bobbin winder driving wheel	1	1	1	
10	S10018	S23651001	紧定螺钉 M6×6	Set screw, socket (ft)M6×6	2	2	2	
11	129S30005	S25235001	螺钉 M8×6	Screw M8×6	1	1	1	
12	S09017	S25236001	螺钉 M6×0.75 L=10	Set screw, socket (ft)M6×0.75	1	1	1	
13-2	12938002	SA2861001	挑线杆支撑轴接头	Thread takeup sshaft unit	1	1	1	
13-1	12938003		挑线架销					
14-2	12938006	SA2935101	挑线杆-3	Thread takeup lever assy, s3l	1		1	58420-003
	12938007	SA2936101	挑线杆-5	Thread takeup lever assy, s5l	1	1		58420-005/58450
	12938202	SA2937101	挑线杆-7	Thread takeup lever assy, s7l	1	1		58720/58750D-40□
14-3	12922015		橡皮塞	Rubber cap	1	1	1	
14-4	12923031		油毡	Felt	1	1	1	
15-1	11626004	S13160001	挑线杆连接柱	Ttakeup slide block assy, 2	1	1	1	用于□0□
15-2	12926016		油线盖 φ4					
1	12902001	SA2746201	上轴 ST	Upper shaft ,ST	1	1	1	用于□3□, For □3□
	12905001	SA2452101	上轴 DD	Upper shaft ,DD	1	1	1	用于□3□, For □3□, 直驱/Direct drive
2	12904001	SA4089001	挑线杆曲柄	Thread takeup crank	1	1	1	用于□3□, For □3□
3	B04022	S25234001	球轴承 6004ZZ	Ball bearing, 6004ZZ	1	1	1	用于□3□, For □3□
4	B10002	S38707001	球轴承 6004ZZNR	Ball bearing, 6004ZZNR	1	1	1	用于□3□, For □3□
16	12926501	SA4112001	针杆曲柄轴 P	Thread takeup crank shaft, P	1	1	1	用于□3□, For □3□
17	S12010	014500836	螺钉 M4×8	Set screw, socket (CP)M4×8	1	1	1	用于□3□, For □3□
8	S10017	S25260001	固定螺钉 M6×5	Set screw, socket (ft)M6×5	2	2	2	用于□3□, For □3□
9	12908001	SA1120001	卷线驱动轮	Bobbin winder driving wheel	1	1	1	用于□3□, For □3□
10	S10018	S23651001	紧定螺钉 M6×6	Set screw, socket (ft)M6×6	2	2	2	用于□3□, For □3□
11	129S30005	S25235001	螺钉 M8	Screw M8	1	1	1	用于□3□, For □3□
12	S09017	S25236001	螺钉 M6×10	Set screw, socket (ft)M6×10	1	1	1	用于□3□, For □3□
18	1293850100	SA2464001	挑线杆支架轴组件	Thread takeup sshaft assy	1	1	1	用于□3□, For □3□
19	S01065	SA2958001	螺钉 M5×6	Screw, flat M5×6	1	1	1	用于□3□, For □3□
20	S09019	012500536	螺钉 M5×5	Set screw, socket (ft)M5×5	1		1	用于□3□, For □3□
21	12938501	SA4115001	挑线杆 S3P	Thread takeup lever, S3 P	1		1	用于□3□, For □3□
21	12938502	SA4116001	挑线杆 S5P	Thread takeup lever, S5 P		1		用于□3□, For □3□
22	12926502	SA4129001	挑线杆接头滑块组件	Ttakeup slide block assy	1	1	1	用于□3□, For □3□
23	12908002	SA2748001	轴承套座	Ball bearing bush	1	1	1	
24	B04021	076023800	R球轴承 60/22ZZ	Ball bearing, radial 60/22ZZ	1	1	1	
25	S10018	S23651001	紧定螺钉 M6×6	Set screw, socket (ft)M6×6	2	2	2	
26	301079	SA2750001	手轮	Pully	1	1	1	
27	B10009	S38710001	球轴承 6204ZZNR	Ball bearing, 6204ZZNR	1	1	1	
28	S10024	012061036	螺钉 M6×10	Set screw, socket (ft)M6×10	2	2	2	
29	12935002	SA2720001	同步轮UST组件	Timing pulley assy, U ST	1	1	1	

B. 上轴装置/Upper shaft mechanism

< 微油型规格, 用于-□0□ / For "-□0□" Minimum lubrication type >



< 针杆无油型规格, 用于-□3□ / For "-□3□" Semi dry type >

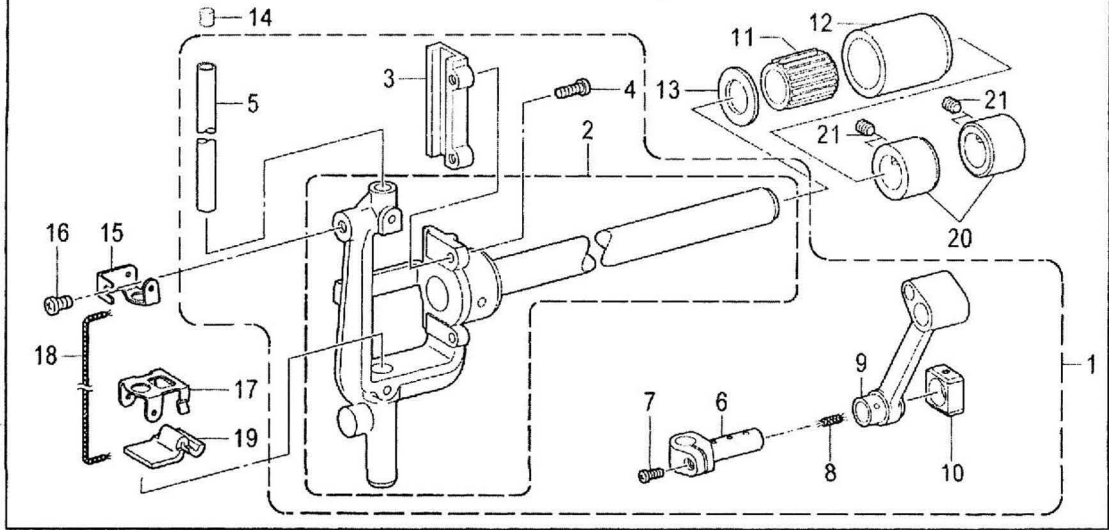


B. 上轴装置/Upper shaft mechanism

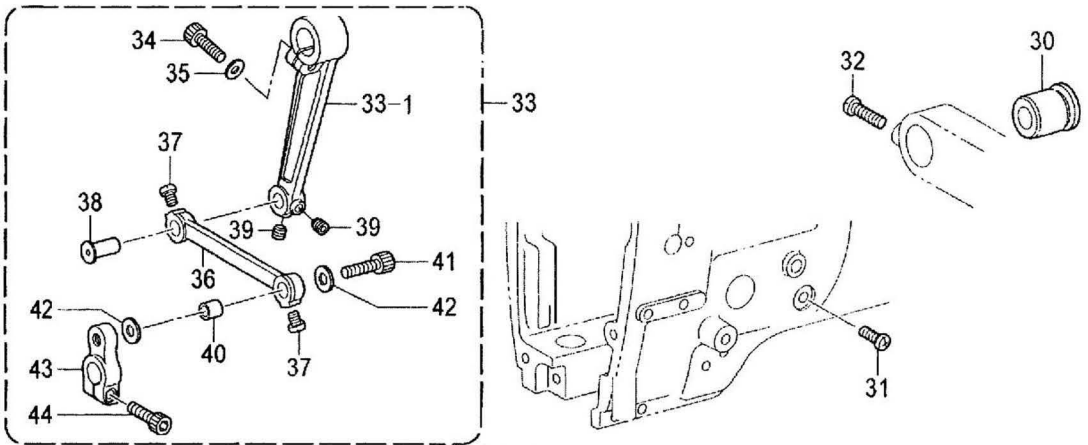
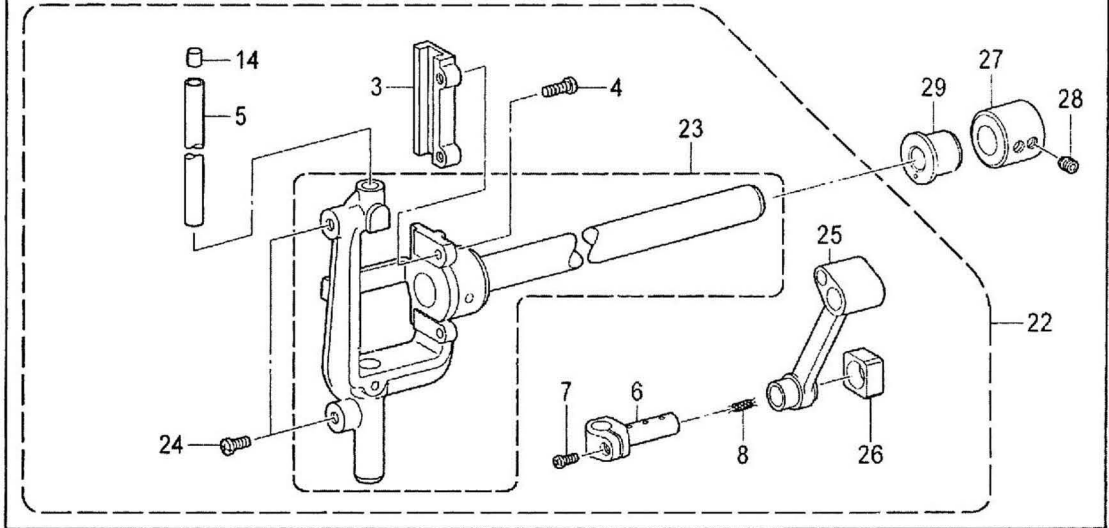
序号 No.	件号 Part No.	参考件号 Ref.Part No.	零部件名称	Name of parts	数量 Amt.			备注
					□□3	□□5	□□F	
30	S10018	S23651001	紧定螺钉 M6×6	Set screw, socket (CP)M6×6	2	2	2	
31	12935003	SA2463001	同步皮带	Timing belt	1	1	1	
32	S10024	012061036	螺钉 M6×10	Set screw, socket (ft)M6×10	2	2	2	
33	301080	SA2469001	挑线杆防护罩	Thread takeup lever cover	1	1	1	
34	S04028	062500816	螺钉 M5×8	Screw, pan M5×8	2	2	2	
35	12912005	SA4537001	防尘盖	Dust cover	1	1	1	
36	1291207900	SA3058101	遮掩板	Shelter plate	1	1	1	58420/58720
	12912082	SA4376101	遮掩板	Shelter plate	1	1		58450/58750
37	12923001	SA3065001	油毡	Felt	1	1	1	
38	12912006	SA3059101	遮掩板支座	Holder, shelter plate	1	1	1	
39	S04028	062500816	螺钉 M5×8	Screw, pan M5×8	1	1	1	
41	B10009	S38710001	球轴承 6204ZZNR	Ball bearing, 6204ZZNR	1	1	1	直驱/Direct drive
42	S10018	S23651001	紧定螺钉M6×6	Set screw, socket (CP)M6×6	4	4	4	直驱/Direct drive
43	12935301	SA2461001	同步轮UDD组件	Timing pulley assy, U DD	1	1	1	直驱/Direct drive
44	12411002	S38713100	叶轮	Fan	1	1	1	直驱/Direct drive
45	208L15001	062403512	螺栓M4×35	Screw, pan M4×35	3	3	3	直驱/Direct drive
46	W02002	028040242	弹簧垫圈	Spring washer	3	3	3	直驱/Direct drive
47	W01006	025040232	平垫圈M4	Washer, plain M4	3	3	3	直驱/Direct drive
48	12903301	SA2462001	同步轮U法兰	Timing pulley flange	1	1	1	直驱/Direct drive
49	12903302	SA1141001	联轴器	Tiein	1	1	1	直驱/Direct drive

C-1. 针杆摆动装置/Needle bar rocking mechanism(58420, 58720)

< 微油型规格, 用于-□0□ / For "-□0□" Minimum lubrication type >



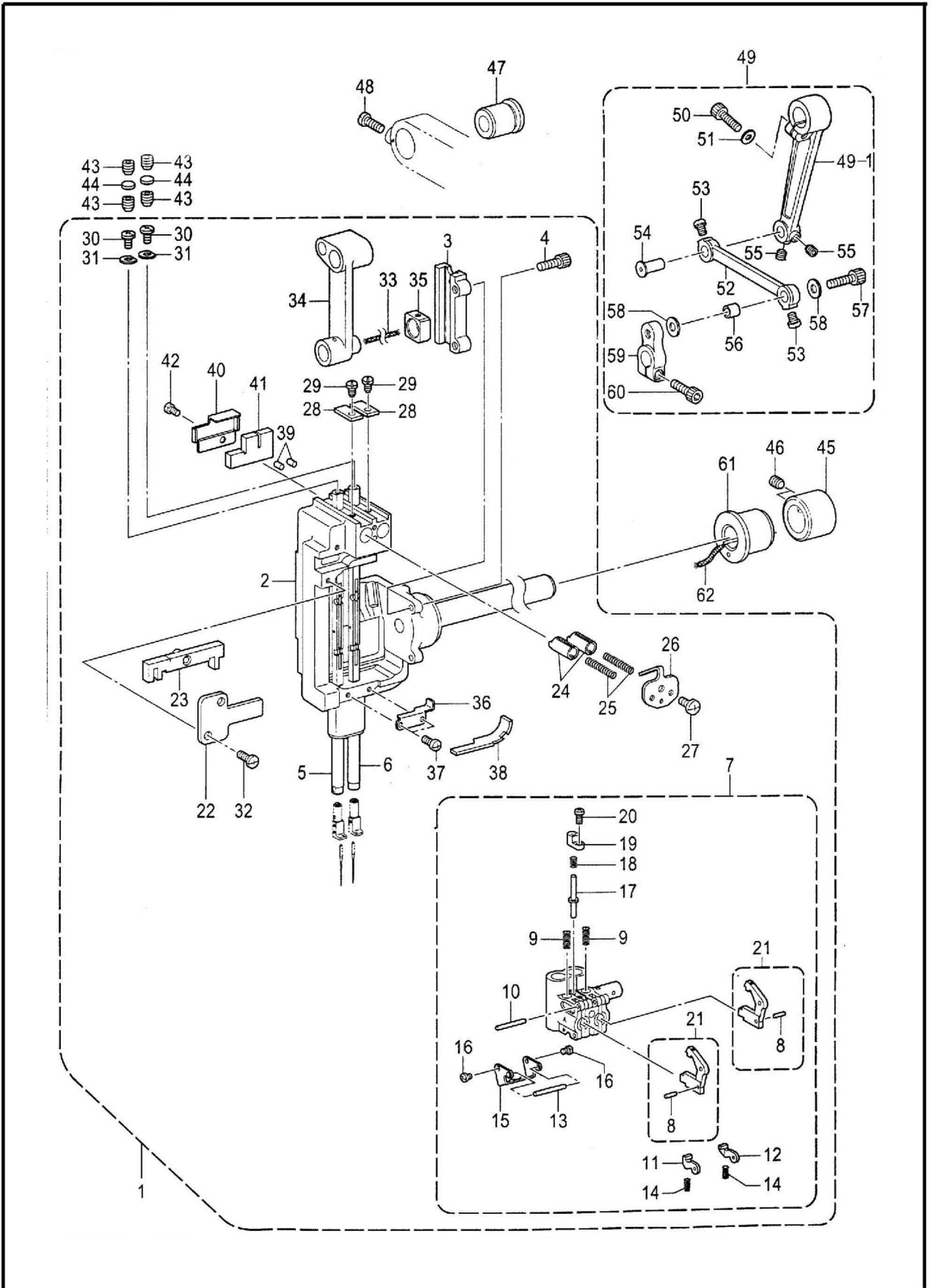
< 针杆无油型规格, 用于-□3□ / For "-□3□" Semi dry type >



C-1. 针杆摆动装置/Needle bar rocking mechanism(58420, 58720)

序号 No.	件号 Part No.	参考件号 Ref.Part No.	零部件名称	Name of parts	数量 Amt.			备注
					□□3	□□5	□□F	
1	1290200200	SA4124301	针杆摆动轴组件	Needle bar rocker shaft assy	1	1	1	
2	1290100100	SA3854001	针杆台组件	Needle bar base assy	1	1	1	
3	12909001	SA2474201	角滑块槽	Slide block slider	1	1	1	
4	S05058	018401036	螺钉M4×10	Screw, pan M4×10	2	2	2	
5	12902003	SA2475101	针杆	Needle bar	1	1	1	
6	12905002	SA3710001	针杆抱箍	Needle bar clamp	1	1	1	
7	129S30021	062350816	螺钉M3.5×8	Screw, pan M3.5×8	1	1	1	
8	12923021	112728001	油线 2×2 L=50	Wick, 2×2 L=50	1	1	1	
9	12905003	SA3711101	针杆曲柄连杆	Crank rod, nbar	1	1	1	
10	12909002	SA3712001	角滑块	Slide block	1	1	1	
11	12924001	SA2482001	滚针轴承	Needle bearing	1	1	1	
12	12903001	SA2483001	轴承套	Case	1	1	1	
13	12928015	SA2484001	垫圈	Washer, plain	1	1	1	
14	12923002	148394000	针杆塞	Cap, nbar	1	1	1	
15	12912007	SA4007001	油毡上支架U	Flat support, U	1	1	1	
16	S04030	062500616	螺钉M5×6	Screw, pan M5×6	1	1	1	
17	12912008	SA3848001	油毡下支架D	Flat support, D	1	1	1	
18	12923021	S07465000	油线 L=200	Wick, L=200	1	1	1	
19	12923003	SA3852001	油毡	Flat	1	1	1	
20	12908003	SA2485001	紧圈	Set screw collar	2	2	2	
21	S10017	S25260001	固定螺钉 M6X0.75	Set screw, socket (ft)M6×5	4	4	4	
22	1290250100	SA4093001	针杆摆动轴组件	Needle bar rocker shaft assy	1	1	1	用于□3□, For □3□
23	1290150100	SA2471001	针杆台组件	Needle bar base assy	1	1	1	用于□3□, For □3□
24	S04028	062500816	螺钉M5×8	Screw, pan M5×8	2	2	2	用于□3□, For □3□
3	12909001	SA2474201	角滑块槽	Slide block slider	1	1	1	用于□3□, For □3□
4	S05058	018401036	螺钉M4×10	Screw, pan M4×10	2	2	2	用于□3□, For □3□
5	12902003	SA2475101	针杆	Needle bar	1	1	1	用于□3□, For □3□
6	12905002	SA3710001	针杆抱箍	Needle bar clamp	1	1	1	用于□3□, For □3□
7	129S30021	062350816	螺钉M3.5×8	Screw, pan M3.5×8	1	1	1	用于□3□, For □3□
8	12923021	112728001	油线 2×2 L=50	Wick, 2×2 L=50	1	1	1	用于□3□, For □3□
25	12905501	SA4094001	针杆曲柄连杆	Crank rod, nbar	1	1	1	用于□3□, For □3□
26	12909501	SA2485001	角滑块	Slide block	1	1	1	用于□3□, For □3□
14	12923002	148394000	针杆塞	Cap, nbar	1	1	1	用于□3□, For □3□
27	12908501	SA2485001	紧圈	Set screw collar	1	1	1	用于□3□, For □3□
28	129S14001	S25260001	固定螺钉 M6×5	Set screw, socket (ft)M6×5	2	2	2	用于□3□, For □3□
29	12903501	SA4095001	摆动轴轴套L	Bush, L	1	1	1	用于□3□, For □3□
30	12903002	SA2486101	摆动轴轴套R	Bush, R	1	1	1	
31	S04028	062500816	螺钉M5×8	Screw, pan M5×8	1	1	1	
32	S04031	062061616	螺钉M6×16	Screw, pan M6×16	1	1	1	
33	1290501500		针杆摆动组件					
33-1	12905004	SA2489001	针杆摆动连杆	Needle bar rocker lever assy	1	1	1	
34	S05078	018062032	螺栓M6×20	Bolt, socket M6×20	1	1	1	
35	20128033	118735002	垫圈	Washer	1	1	1	
36	12905005	SA2490101	针杆摆动杆	Rocker link, NBAR	1	1	1	
37	S04034	S23460001	螺钉M6×5	Screw, pan M6×5	2	2	2	
38	12926005	SA4117001	摆动杆轴P	Link shaft, NBAR rocker P	1	1	1	
39	S10019	012060636	螺钉 M6×6	Set screw, socket (ft)M6×6	2	2	2	
40	12903003	SA4118001	摆动杆轴套P	Zigzag link bush, P	1	1	1	
41	S05016	018062532	内六角螺栓M6×25	Bolt, socket M6×25	1	1	1	
42	12928002	SA2493001	垫圈	Washer, plain	2	2	2	
43	12901010	SA2494001	针杆摆动臂	Needle bar rock arm	1	1	1	
44	S05078	018062032	螺栓M6×20	Bolt, socket M6×20	1	1	1	

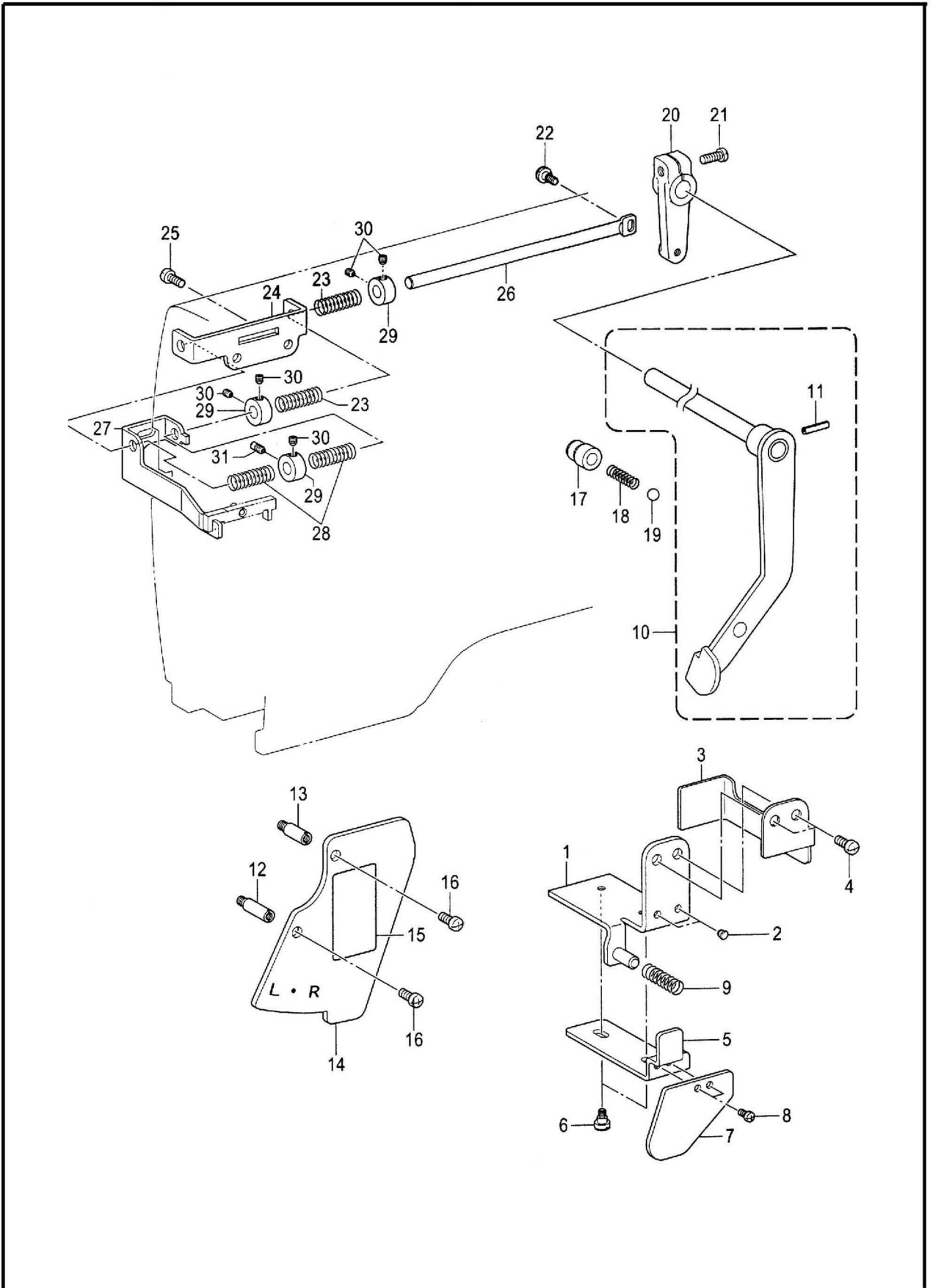
C-2. 针杆摆动装置/Needle bar rocking mechanism(58420, 58720)



C-2. 针杆摆动装置/Needle bar rocking mechanism(58420, 58720)

序号 No.	件号 Part No.	参考件号 Ref.Part No.	零部件名称	Name of parts	数量 Amt.			备注
					□□3	□□5	□□F	
1	1290201400	SA4377001	针杆摆动轴组件	Needle bar rocker shaft assy	1	1		
2	1290100600	SA4378001	针杆台组件	Needle bar base assy	1	1		
3	12909001	SA2474201	角滑块槽	Slide block slider	1	1		
4	S05058	018401036	螺钉M4×10	Bolt socket M4×10	2	2		
5	12902015	SA4382001	针杆组件L	Needle bar assy, L	1	1		
6	12902016	SA4385001	针杆组件R	Needle bar assy, R	1	1		
7	12902017	SA4387001	针杆抱箍组件	Needlee bar clamp assy	1	1		
8	11726003	149604001	销 1.5×5.8	Pin 1.5×5.8	2	2		
9	12927019	149605001	离合器摆杆弹簧	Spring, clutch lever	2	2		
10	11726004	149827001	销 2×15.8	Pin 2×15.8	1	1		
11	12912102	S34561101	止动块 L	Clutch stopper, L	1	1		
12	12912066	S34562101	止动块 R	Clutch stopper, R	1	1		
13	11726005	149608001	销 2×17.8	Pin 2×17.8	1	1		
14	11727002	112609001	推动板止动簧	Spring	1	1		
15	12912067	SA4391001	弹簧支架	Spring holding	1	1		
16	129S3029	062260316	螺钉M2.6×3	Screw, pan M2.6×3	2	2		
17	11726006	149610001	销	Pin	1	1		
18	11727003	149611101	离合销弹簧	Spring, release pin	1	1		
19	12901009	SA4392001	离合销盖	Pin cover	1	1		
20	129S30030	062260516	螺钉M2.6×5	Screw, pan M2.6×5	1	1		
21	12912068	SA4389101	离合器摆杆组件	Clutch lever assy	2	2		
22	12912070	SA4395001	角滑块导向板	Slide block guide plate	1	1		
23	12909013	S07575000	滑块组件	Slide block assy	1	1		
24	12912071	SA4583001	针杆定位	Stopper, Nbar	2	2		
25	11727004	149622001	针杆止动器弹簧	Spring, Nbar stopper	2	2		
26	12912072	SA4396001	弹簧盖	Spring cover	1	1		
27	S04016	060350616	螺钉M3.5×6	Screw bind M3.5×6	1	1		
28	12912073	SA4397001	针杆定位块	Rotate stopper, NBar	2	2		
29	129S20005	SA4398001	螺钉SM3.5	Screw SM3.5	2	2		
30	S04016	060350616	螺钉M3.5×6	Screw bind M3.5×6	2	2		
31	W01001	SA4399001	垫圈	Washer, plane	2	2		
32	129S30021	062350816	螺钉M3.5×8	Screw pan M3.5×8	1	1		
33	12923021	112728001	油线 2×2 L=50	Wick, 2×2 L=50	1	1		
34	12905016	SA4393001	针杆曲柄连杆	Crank rod, Nbar	1	1		
35	12909010	SA4394001	角滑块	Slide block	1	1		
36	12912074	SA4401001	油毡下支架D	Felt support, D	1	1		
37	S04016	062350616	螺钉M3.5×6	Screw bind M3.5×6	2	2		
38	12923027	SA4400001	油毡	Felt	1	1		
39	10123002	107155001	针杆上毡塞	Felt	2	2		
40	12912101	SA5155001	油毡上支架U	Felt support, U	1	1		
41	12923029	SA5237101	油毡	Felt	2	2		
42	S04041	062350516	螺钉M3.5×5	Screw pan M3.5×5	1	1		
43	S10025	014080831	紧定螺钉 M8×8	Set screw, socket (CP) M8×8	4	4		
44	12928021	154567000	衬垫5.3	Spacer, 5.3	2	2		
45	12908003	SA2485001	紧圈	Set screw collar	1	1		
46	S10017	S25260001	固定螺钉 M6X0.75 l	Set screw, socket (ft) M6×5	2	2		
47	12903002	SA2486101	摆动轴轴套R	Bush, R	1	1		
48	S04031	062061616	螺钉M6×16	Screw pan M6×16	1	1		
49	1290501500		针杆摆动组件	Needle bar rocker lever assy	1	1		
49-1	12905004	SA2489001	针杆摆动连杆	Needle bar rocker lever assy	1	1		
50	129S13004	018062032	螺栓M6×20	Bolt socket M6×20	1	1		
51	20128033	118735002	垫圈6	Washer	1	1		
52	12905005	SA2490101	针杆摆动杆	Rocker link, NBar	1	1		
53	S04034	S23460001	螺钉M6×5	Screw pan M6×5	2	2		
54	12926005	SA4117001	摆动杆轴P	Link shaft, Nbar rocker P	1	1		
55	S10019	012060636	螺钉 M6×6	Set screw, socket (ft) M6×6	2	2		
56	12903003	SA4118001	摆动杆轴套P	Zigzag link bush, P	1	1		
57	S05016	018062532	螺栓M6×25	Bolt socket M6×25	1	1		
58	12928002	SA2493001	垫圈	Washer, plain	2	2		
59	12901010	SA2494001	针杆摆动臂	Needle bar rock arm	1	1		
60	S05078	018062032	螺栓M6×20	Bolt socket M6×20	1	1		
61	12903018	SA5332001	轴套L	Bush, L	1	1		
62	12923018	S48204000	油线4×4 L=150	Wick, 4×4 L=150	1	1		

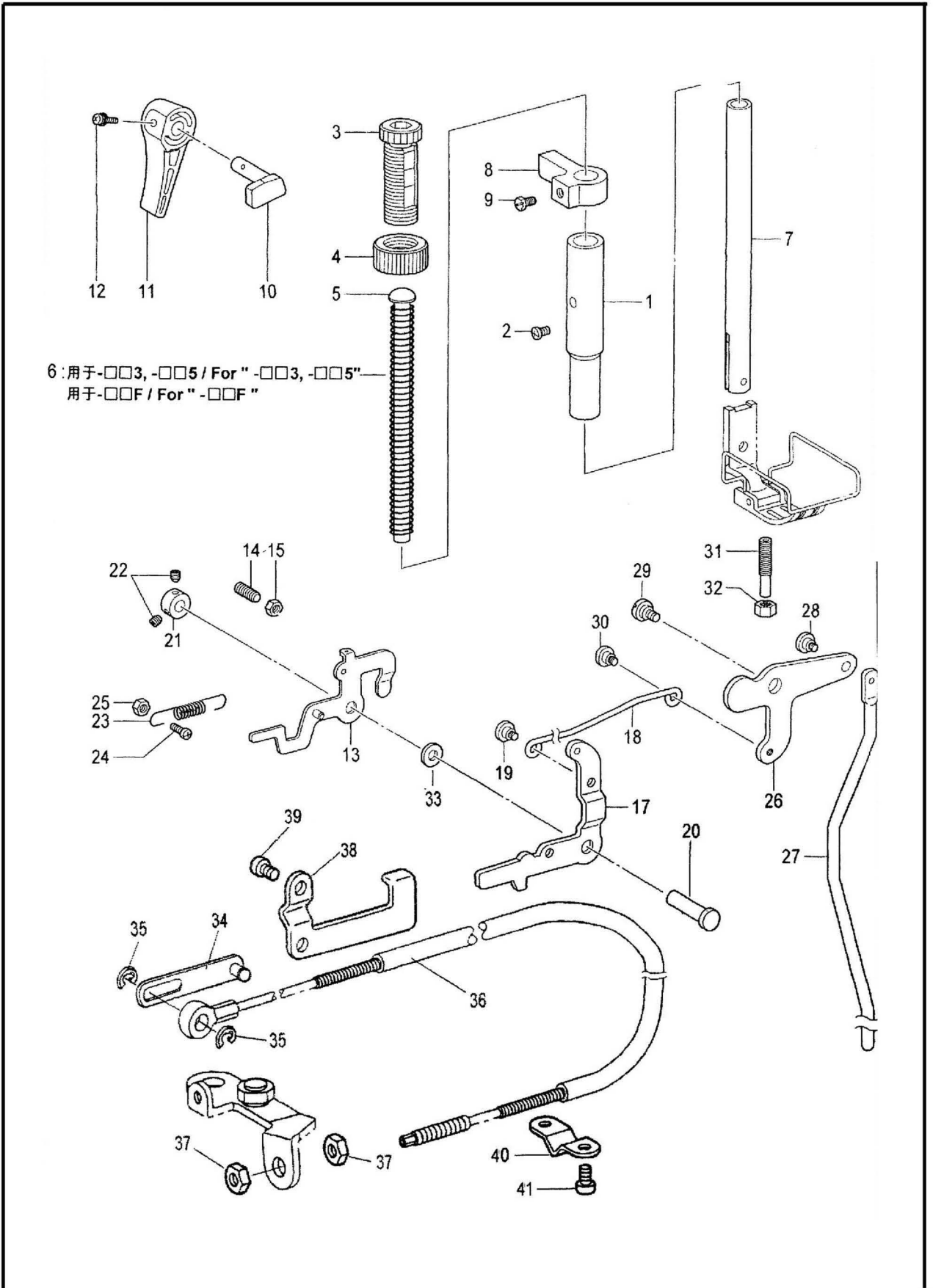
D. 针杆切换操作装置/Needle bar flip-up mechanism(58420, 58720)



D. 针杆切换操作装置/Needle bar flip-up

序号 No.	件号 Part No.	参考件号 Ref.Part No.	零部件名称	Name of parts	数量 Amt.			备注
					□□3	□□5	□□F	
1	12912056	SA4402001	指示板组件	Indication plate assy	1	1	1	
2	12922004	104833001	橡皮塞4.3	Rubber cap, 4.3	2	2	2	
3	12912057	SA5336001	指示板盖	Holder plate cover	1	1	1	
4	S04032	062501016	螺钉M5×14	Screw pan M5×14	2	2	2	
5	12912058	SA4404001	压板	Push lever	1	1	1	
6	129S20006	SA4441001	段螺钉M4	Shoulder screw, M4	2	2	2	
7	12912059	SA4405001	压杆板	Plate, push lever	1	1	1	
8	S04041	062350516	螺钉 M3.5×5	Screw pan M3.5×5	2	2	2	
9	12927017	SA5333001	弹簧	Spring	1	1	1	
10	1291206000	SA4406001	定位杆轴组件	Stop lever shaft assy	1	1	1	
11	11729011	047301842	弹簧销AW3×18	Pin spring roll aw3	1	1	1	
12	129S30004	SA4408001	螺栓L	Stud, L	1	1	1	
13	129S30008	SA4409001	螺栓S	Stud, S	1	1	1	
14	12912061	SA4411101	切换指示板	Flipup holder plate	1	1	1	
15		S18964001	切换指示标签	Label	1	1	1	
16	S04028	062500816	螺钉M5×8	Screw pan M5×8	2	2	2	
17	12903016	SA4412001	轴承导向套	Ball guide bush	1	1	1	
18	12927022	150820001	弹簧	Spring	1	1	1	
19	11724001	071063550	钢珠1/4	Bearing ball	1	1	1	
20	12904007	SA4413001	轴臂	Arm, lever shaft	1	1	1	
21	S05004	062501416	螺钉M5×14	Screw pan M5×14	1	1	1	
22	129S20007	SA5588001	螺钉M4	Shoulder screw, M4	1	1	1	
23	11727007	SA4414001	弹簧	Spring	2	2	2	
24	12912062	SA4415001	滑轴架	Slide shaft bracket	1	1	1	
25	S04028	062500816	螺钉M5×8	Screw pan M5×8	2	2	2	
26	12912063	S07588101	滑动轴	Slide shaft	1	1	1	
27	12912064	SA4416001	支架板	Support plate, slide shaft	1	1	1	
28	12927018	149863001	弹簧	Spring, plate	2	2	2	
29	12903017	SA4417001	紧圈	Set screw collar	3	3	3	
30	S10007	014400432	紧定螺钉M4×4	Set screw, socket (CP) M4×4	5	5	5	
31	129S11004	SA4418001	导向螺钉	Guide screw	1	1	1	

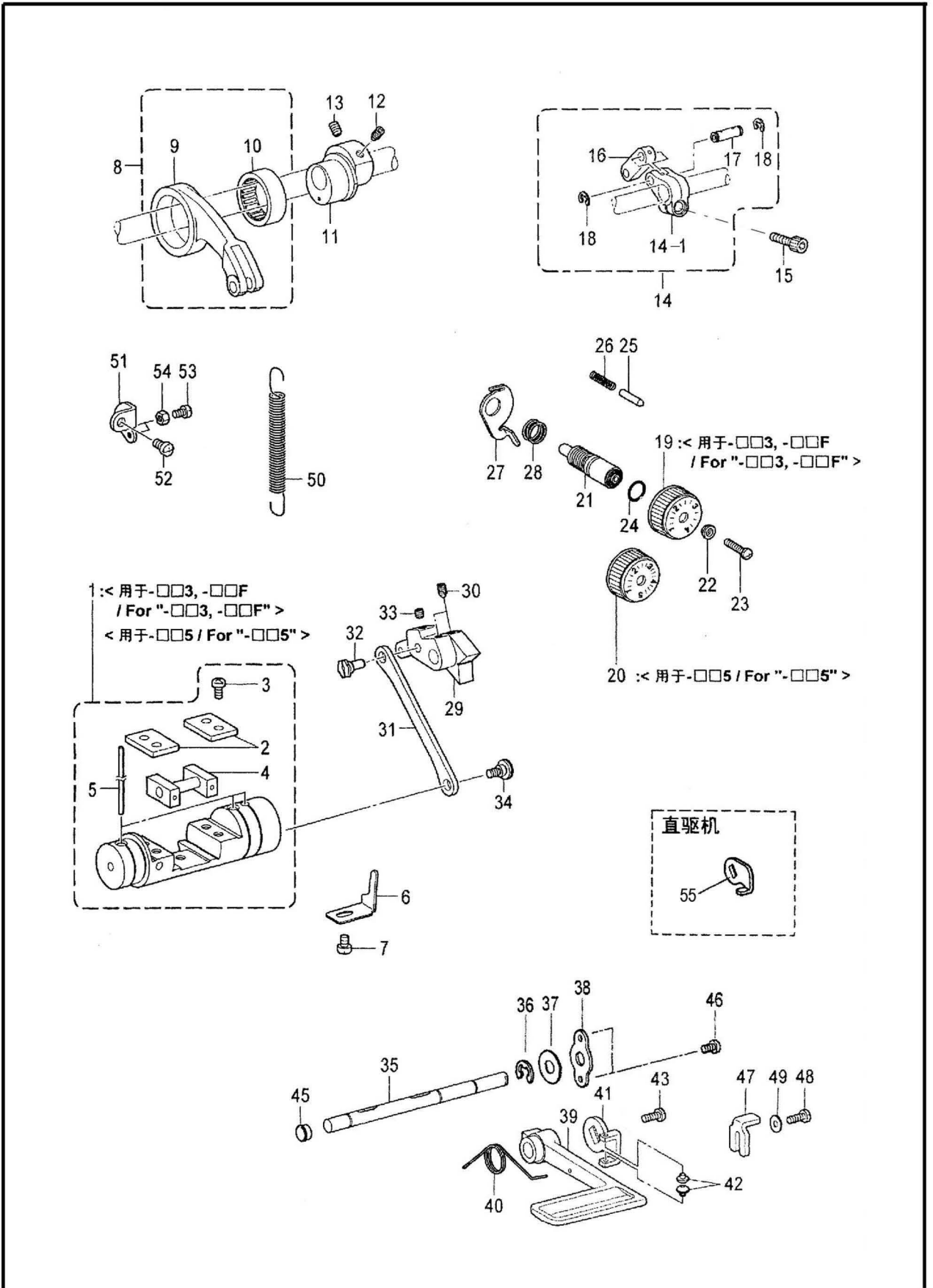
E. 压脚装置/Presser foot mechanism



E. 压脚装置/Presser foot mechanism

序号 No.	件号 Part No.	参考件号 Ref.Part No.	零部件名称	Name of parts	数量 Amt.			备注
					□□3	□□5	□□F	
1	12903004	SA2495001	压杆轴套	Presser bar bush	1	1	1	
2	S04028	062500816	螺钉M5×8	Screw, pan M5×8	1	1	1	
3	129S30003	SA1174001	调节螺栓 M14	Presser adjusting screw, M14	1	1	1	
4	129S16001	SA1175001	调节螺母 M14	Presser adjusting nut	1	1	1	
5	12905006	SA7607001	弹簧导杆	Spring guide	1	1	1	
6	11627002	S07346101	压紧弹簧	Presser bar spring, 5	1	1		
6	12927101	S16196001	压紧弹簧	Presser bar spring, F			1	
7	12902004	SA2496001	压紧杆	Presser bar	1	1	1	
8	12905007	SA2498001	压杆抱箍	Guide bracket, PBAR	1	1	1	
9	129S12001	S25289001	螺栓M6×10	Bolt, socket M6×10	1	1	1	
10	12904002	SA2499001	压杆提升曲柄	Presser bar lifting crank	1	1	1	
11	12411003	S31006001	抬压脚扳手	Lifting lever	1	1	1	
12	124S30009	S39051001	螺钉(带垫圈)M3.5	Screw, pan(s/p w) M3.5×12	1	1	1	
13	1291300100	S07353001	松线板组件	Tension release plate assy	1	1	1	
	1291330100	S07351001	松线板组件	Tension release plate assy	1	1	1	直驱/Direct drive
	1291330400	S10780001	松线板组件	Tension release plate assy	1	1	1	选购件
14	S09018	012061832	螺钉M6×18	Set screw, socket(ft)M6×18	1	1	1	
15	N01012	012061832	螺母M6	Nut M6	1	1	1	
17	12912010	SA2501001	抬压脚连杆	Presser bar lifting lever	1	1	1	
	12912340	SA2578001	抬压脚连杆	Presser bar lifting lever	1	1	1	选购件
18	12912011	SA2502001	膝控连杆	Knee lifter connecting rod	1	1	1	
19	129S20001	SA1179001	段螺钉M5	Shoulder screw, M5	1	1	1	
20	11626008	S07349001	膝提前拔销	Pbar lifting lever shaft	1	1	1	
21	12908004	SA2504001	紧圈	Set screw, collar	1	1	1	
22	S09019	012500536	螺钉M5×5	Set screw, socket(ft)M5×5	2	2	2	
23	12927002	S07355051	弹簧	Spring e×tension	1	1	1	
24	S04032	062501416	螺钉M5×14	Screw, pan M5×14	1	1	1	
25	N01014	021500106	六角螺母M5	Nut 1 M5	1	1	1	
26	12912012	SA2506001	膝控提升杠杆	Knee lifter lever	1	1	1	
27	12912013	SA2507001	膝控提升杆	Knee lifter bar	1	1	1	
28	129S20001	SA1179001	段螺钉M5	Shoulder screw, M5	1	1	1	
29	129S20002	SA2165001	段螺钉M6	Shoulder screw, M6	1	1	1	
30	129S20001	SA1179001	段螺钉M5	Shoulder screw, M5	1	1	1	
31	129S30006	SA4149101	调整螺钉M6	adjusting screw, M6	1	1	1	
32	N01012	021060306	六角螺母M6	Nut 3 M6	1	1	1	
33	12928016	S07350001	垫圈	Washer, plain	1	1	1	
34	1291230100	S07529001	松线连杆组件	Thread release connecting rod a	1	1	1	直驱/Direct drive
35	H05002	048030342	挡圈E3	Retaining ring ,E3	2	2	2	直驱/Direct drive
36	12930301	SA2677001	松线电线	Tension release wire	1	1	1	直驱/Direct drive
37	116S16006	110161006	螺母SM4.76	Nut SM4.76	2	2	2	直驱/Direct drive
38	12912302	SA2678001	松线电线夹	Wire holder	1	1	1	直驱/Direct drive
39	S04028	062500816	螺钉M5×8	Screw, pan M5×8	2	2	2	直驱/Direct drive
40	12912303	SA2679001	松线电线夹	Wire holder	1	1	1	直驱/Direct drive
41	S04033	062060816	螺钉M6×8	Screw, pan M6×8	2	2	2	直驱/Direct drive

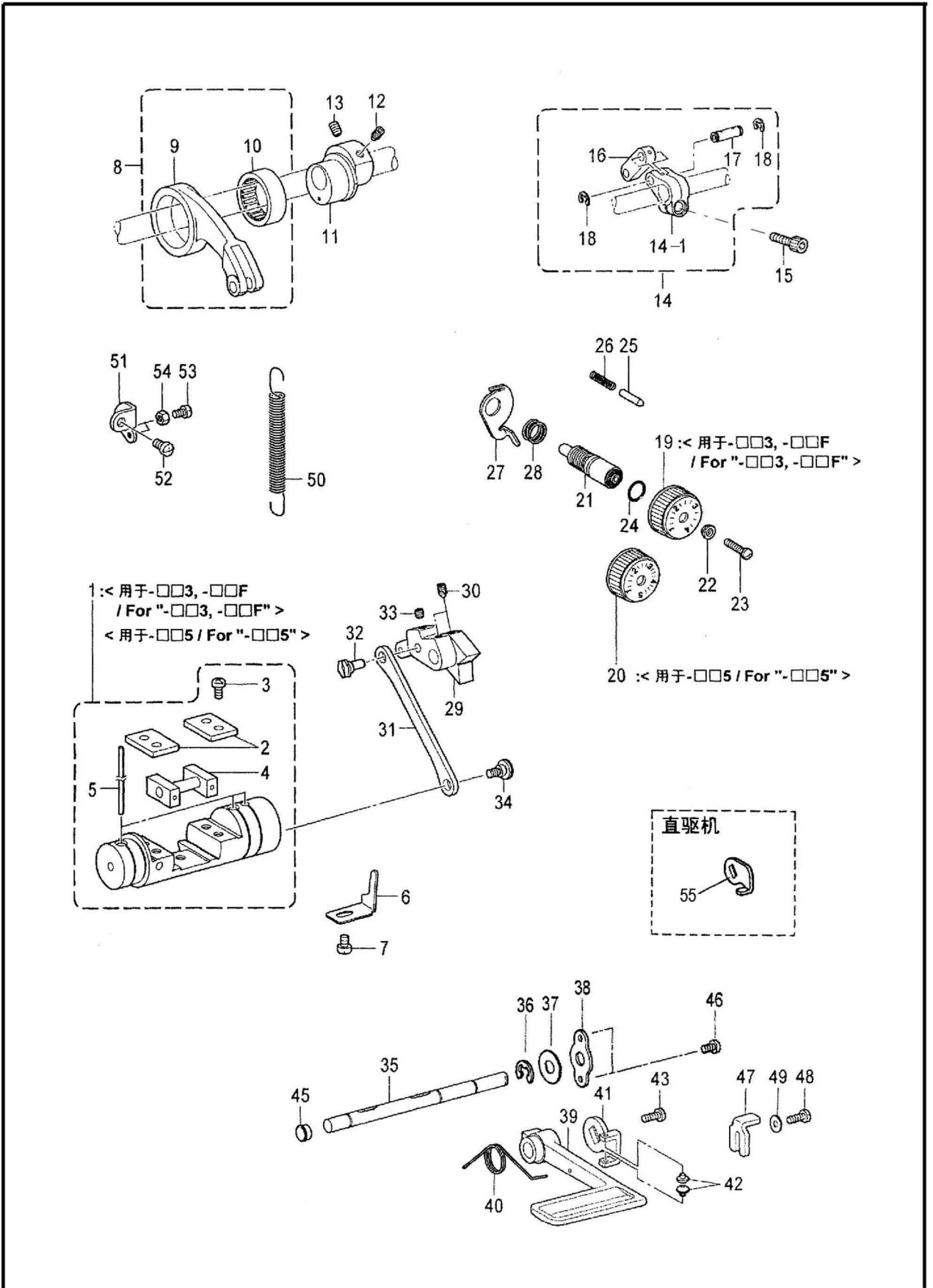
F. 送布装置/Feed mechanism



F. 送布装置/Feed mechanism

序号 No.	件号 Part No.	参考件号 Ref.Part No.	零部件名称	Name of parts	数量 Amt.			备注
					□□3	□□5	□□F	
1	1290200500	SA3062001	切换器11组件	Feed regulator assy, 11	1		1	58420/58420D-4□□
	1290200500	SA3062001	切换器11组件	Feed regulator assy, 11	1	1	1	58720/58750
1	1290200600	SA2509001	切换器组件	Feed regulator assy		1		58420/5842D-4□□
	1290200600	SA2509001	切换器组件	Feed regulator assy	1	1		58450
2	12909003	SA2511001	滑块导向	Guide plate	2	2	2	
3	S04029	062501016	螺钉M5×12	Screw, pan M5×12	4	4	4	
4	12909004	SA2512001	滑块组件	Slide block assy	1	1	1	
5	12923018	SA2515001	油线 4×4 L=150	Wick, 4×4 L=150	1	1	1	
6	12912014	SA2516001	切换器定位	Stopeer	1	1	1	
7	S04033	062060816	螺钉M6×8	Screw, pan M6×8	1	1	1	
8	1290500800	143611201	送布连杆组件	Frocker connecting rod assy	1	1	1	
9	12905009	143612100	送布大连杆	Feed rocker connecting rod	1	1	1	
10	11624002	118954000	滚针轴承	Needle bearing	1	1	1	
11	12910001	SA2518001	送布偏心轮5	Level feed eccentric wheel 5	1	1	1	58420/58450
	12910201	SA2791001	送布偏心轮7	Level feed eccentric wheel 7	1	1	1	58720/58750
12	116S14005		螺钉	Set screw	1	1	1	
13	101S15011		倒送料扳手定位螺钉	Set screw	1	1	1	
14	1290400800		水平送料臂5组件	Feed rocker arm5 assy	1	1	1	58420/58450
	1290400900		水平送料臂7组件	Feed rocker arm7 assy	1	1	1	58720/58750
14-1	12904003	SA2521001	水平送料臂5	Feed rocker arm5	1	1	1	58420/58450
	12904201	SA2793001	水平送料臂7	Feed rocker arm7	1	1	1	58720/58750
15	S05078	018062032	螺栓M6×20	Bolt, socket M6×20	1	1	1	
16	12905010	143613051	送布小连杆	Link	1	1	1	
17	11626010	143616001	送布曲柄轴	Shaft	1	1	1	
18	11629002	048060342	挡圈E6	Retaining ring ,E6	2	2	2	
19	1161100200	S38422001	针距标盘4	Stitch length dial, 4	1		1	58420
20	1161101600	S38427001	针距标盘5	Stitch length dial, 5		1		58420
	1161101600	S38427001	针距标盘5	Stitch length dial, 5	1	1		58450
	1291120100	S38428001	针距标盘7	Stitch length dial, 7	1	1	1	58720/58750
21	129S30007	SA3056001	调节螺栓	Feed regulating stud	1	1	1	
22	11611005	142746002	针距标盘套	Feed regulating supporter	1	1	1	
23	116S11002	129458102	螺钉SM4.76	Screw, SM4. 76	1	1	1	
24	10122016	108549001	O形圈	O Ring	1	1	1	
25	12926008	S50098101	定位销	Positioning pin	1	1	1	
26	12927003	100328001	止动销弹簧	Notch spring	1	1	1	
27	12912016	SA2523001	标盘锁杆	Dial lock lever	1	1	1	
28	12927004	S39830101	弹簧	Spring	1	1	1	
29	12909005	SA2525001	送料调节器 5	Feed regulator 5	1	1	1	58420/58450
	12909201	SA2796001	送料调节器 7	Feed regulator 7	1	1	1	58720/58750
30	S10021	016061031	紧定螺钉 M6×10	Set screw, socket (cn)M6×10	2	2	2	
31	12905011	SA2526001	切换器连杆	Connecting rod	1	1	1	
32	12910002	SA2527001	偏心轴	Eccentric shaft	1	1	1	
33	S10019	012060636	螺钉M6×6	Set screw, socket (ft)M6×6	1	1	1	
34	129S20003	SA2528101	段螺钉M6	Shoulder screw, M6	1	1	1	
35	12902007	SA2529101	倒缝手柄轴 TR	Shaft, Rlever TR	1	1	1	
36	12929003	048080342	挡圈E8	Retanining ring ,E8	1	1	1	
37	11628003	025100132	平垫圈S10	Washer, plain S 10	1	1	1	
38	12912017	SA2530001	垫片	Spacer	1	1	1	
39	301081	S07374109	倒缝扳手	Reverse stitching lever	1	1	1	
40	12927005	SA2531001	弹簧	Spring	1	1	1	
41	12912018	SA3067001	手柄导向	Lever guide	1	1	1	
42	12922002	S48367000	导向橡皮	Rubber	2	2	2	

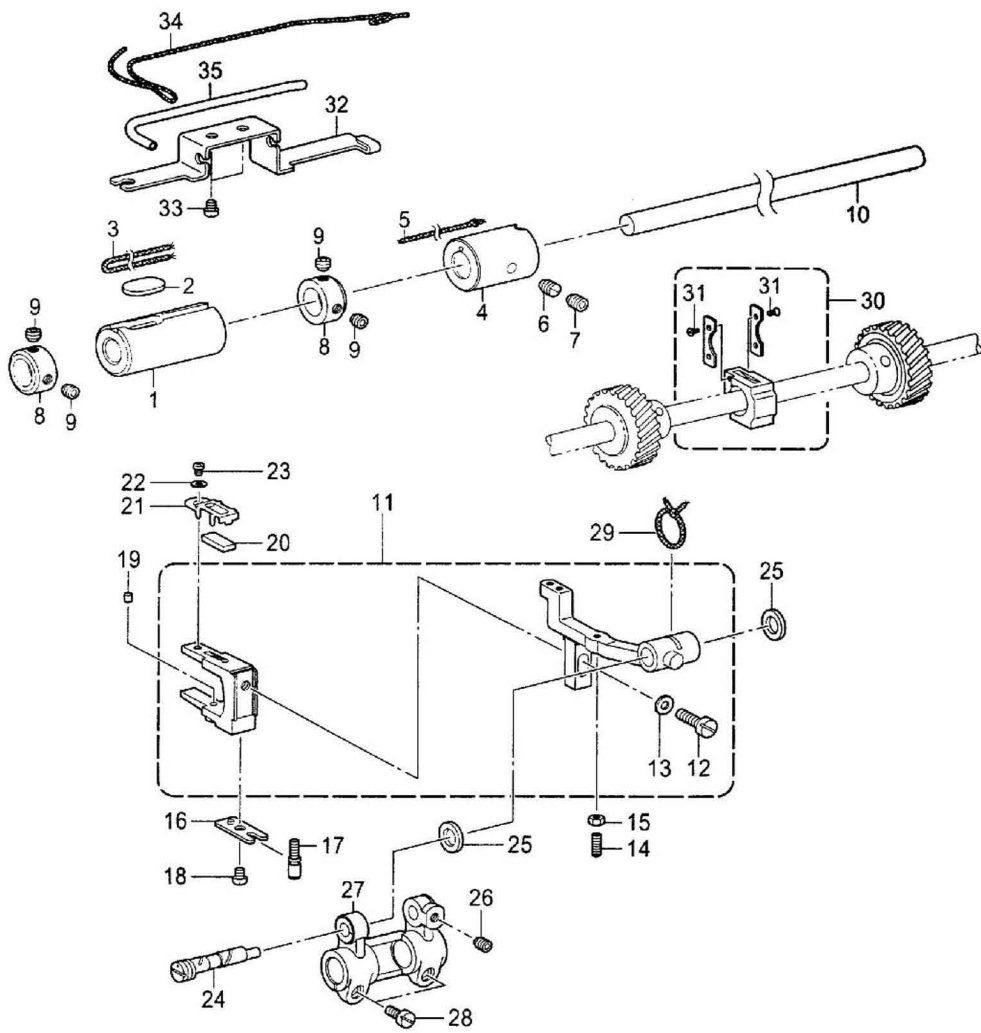
F. 送布装置/Feed mechanism



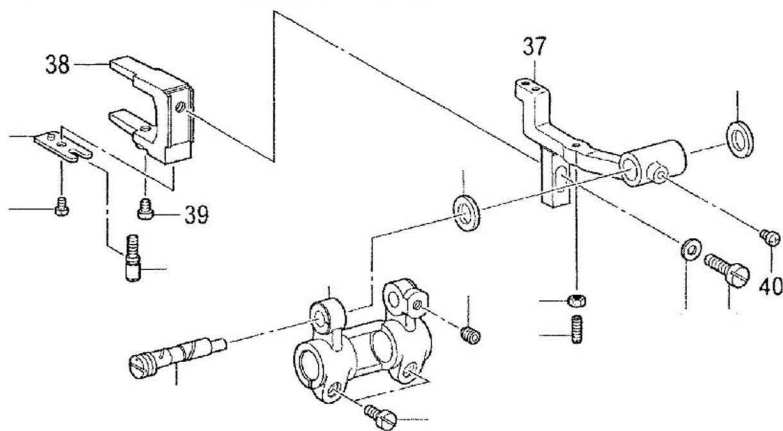
F. 送布装置/Feed mechanism

序号 No.	件号 Part No.	参考件号 Ref.Part No.	零部件名称	Name of parts	数量 Amt.			备注
					□□3	□□5	□□F	
43	129S11001	SA6592001	螺钉M5	Screw, pan M5	1	1	1	
45	40122016	104821001	橡皮塞10.5	Rubber cap, 10.5	1	1	1	
46	S04028	062500816	螺钉M5×8	Screw, pan M5×8	2	2	2	
47	12912019	SA2532001	定位器	Stooper	1	1	1	
48	S04029	062501216	螺钉M5×12	Screw, pan M5×12	1	1	1	
49	12928018	025050236	平垫圈M5	Washer, plain M5	1	1	1	
50	12927006	S07376001	调节器弹簧	Feed regulator spring	1	1	1	
51	12912020	SA2533001	弹簧挂钩	Spring hook	1	1	1	
52	S04038	062060816	螺钉M6×10	Screw, pan M6×10	1	1	1	
53	S04029	062501216	螺钉M5×12	Screw, pan M5×12	1	1	1	
54	N01017	021500106	六角螺母M5	Nut 1 M5	1	1	1	
55	12912304	SA2541001	倒缝扳手板	Reverse stitching lever plate	1	1	1	直驱/Direct drive

H. 送布轴装置/Feed shaft mechanism



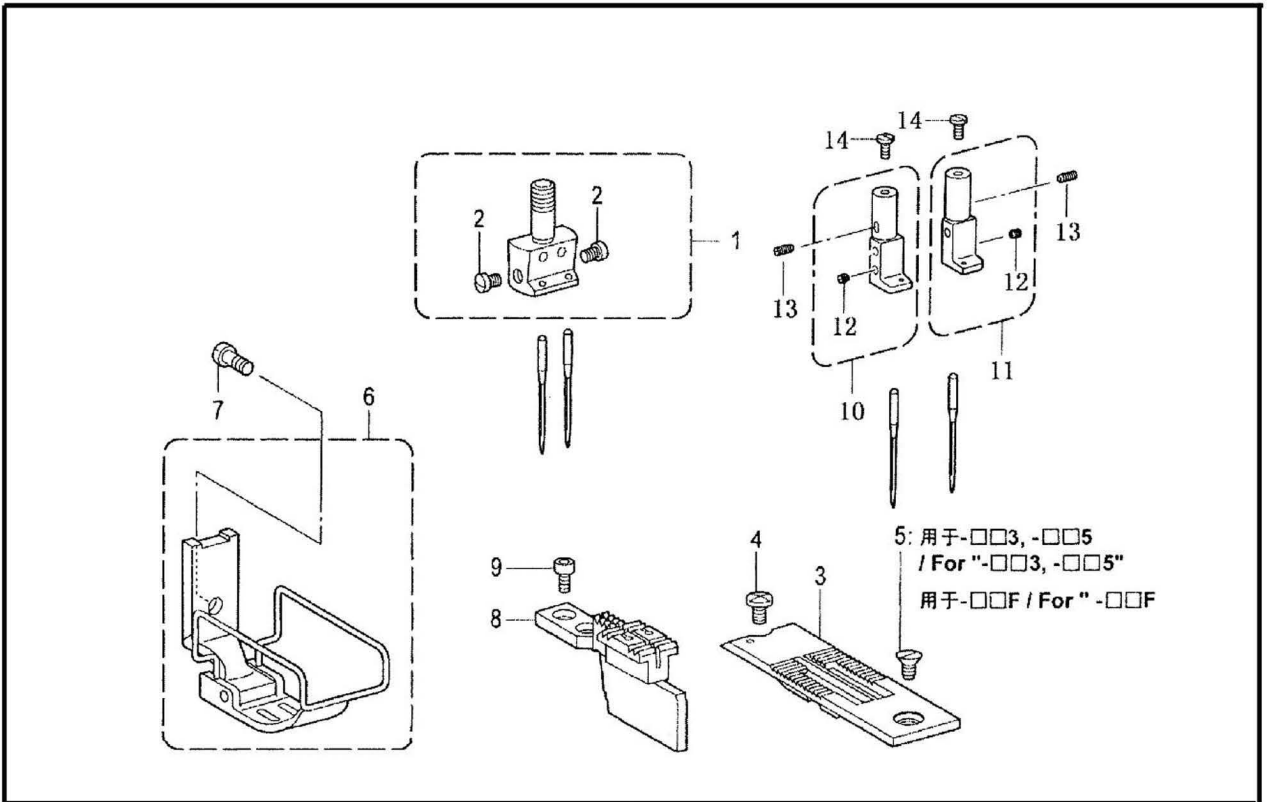
" 选购件 / OPTION PARTS " < 无油型规格 / Dry Type >



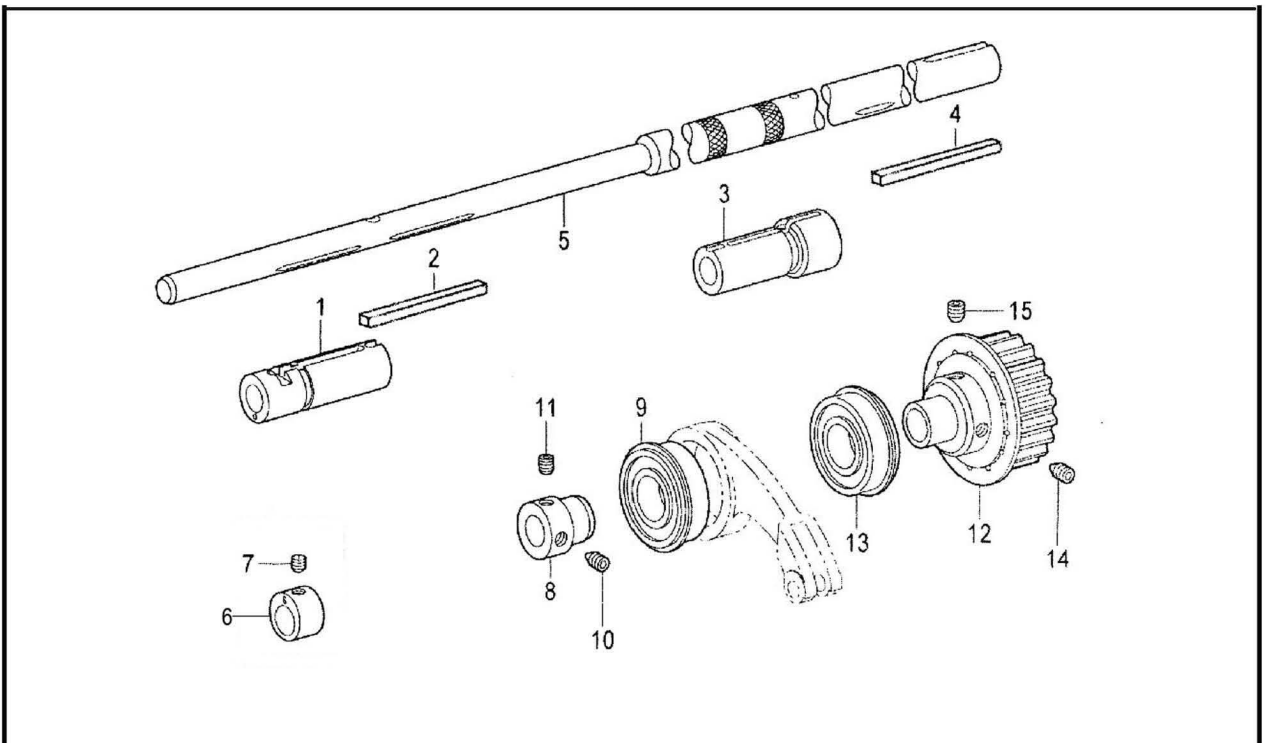
H. 送布轴装置/Feed shaft mechanism

序号 No	件号 Part No.	参考件号 Ref.Part No.	零部件名称	Name of parts	数量 Amt.			备注
					□□3	□□5	□□F	
1	12903005	SA3855001	送布轴套L	Bush, l:frocker shaft	1	1	1	
2	12923005	SA3965001	油毡	Felt	1	1	1	
3	12923018	SA4028001	油线 4×4 L=220	Wick, 4×4 L=220	1	1	1	
4	12903006	SA2543001	送布轴套R	Feed rocker shaft bush, R	1	1	1	
5	12923018	108802001	油线 4×4 L=250	Wick, 4×4 L=250	1	1	1	
6	S10022	SA2544001	紧定螺钉 M6×8	Set screw M6×8	1	1	1	
7	S10019	012060636	螺钉M6×6	Set screw, socket(ft)M6×6	1	1	1	
8	12908005	SA2546001	紧圈	Set screw collar	2	2	2	
9	S10018	S23651001	紧定螺钉 M6×6	Set screw, socket(ft)M6×6	4	4	4	
10	12902008	SA3840001	送布轴	Feed rocker shaft	1	1	1	
11	1290700200		送布台叉组件 ST	Feed bar st fork assy	1	1	1	
	1290720100	SA6150101	送布台叉组件 TR	Feed bar tr fork assy	1	1	1	直驱/Direct drive
12	207S11006	SA2927001	螺钉 M6×14	Screw, M6×14	1	1	1	
13	11628005	025060132	平垫圈S6	Washer, plain S 6	1	1	1	
14	S07005	SA2566001	螺钉M3.5×12	Set screw M3.5×12	1	1	1	
15	N01016	021350106	螺母M3.5	Nut 1 M3.5	1	1	1	
16	12912021	SA2553001	开叉板	Forked plate	1	1	1	
17	129S30010	SA2554001	调整螺栓	Adusting screw, hight	1	1	1	
18	S04035	062400616	螺钉M4×6	Screw, pan M4×6	1	1	1	
19	12923006	SA3990001	油毡	Flat	1	1	1	
20	12923007	SA3887001	油毡	Flat	1	1	1	
21	12912022	SA3888001	油毡压架	Flat holder	1	1	1	
22	12928019	025030132	平垫圈S3	Washer, plain S 3	1	1	1	
23	S04036	062300416	螺钉M3×4	Screw, pan M3×4	1	1	1	
24	12910003	SA2550001	送布台安装轴	Feed bar shaft	1	1	1	
25	12928003	SA2551001	轴向垫圈	Thrust ring	2	2	2	
26	S10019	012060636	螺钉M6×6	Set screw, socket(ft)M6×6	1	1	1	
27	12904004	SA2555001	水平送布台臂	Feed rocker base arm	1	1	1	
28	S01059	SA2928001	螺钉M5×13	Screw, M5×13	2	2	2	
29	12923018	SA4538001	油线 4×4 L=180	Wick, 4×4 L=180	1	1	1	
30	1290900600	SA2806001	角滑块组件	Feed bar slide block assy	1	1	1	
31	S02018	SA6308001	螺钉(#0)M2×4	Screw, flat #0 M2×4	4	4	4	
32	12912023	SA4009001	油线支架	Wick support	1	1	1	
33	S04035	062400616	螺钉M4×6	Screw, pan M4×6	2	2	2	
34	12923018	SA2724001	油线4×4 L=400	Wick, 4×4 L=400	1	1	1	
35	12921002	SA4011001	维尼龙油管 L=100	Oil tube, L=100	1	1	1	
37	12907301	SA2754001	送布台ST	Feed bar, st	1	1	1	
38	12907302	SA2552001	送布台叉	Feed bar fork	1	1	1	选购件用于无油型,
39	S04028	062500816	螺钉M5×8	Screw, pan M5×8	1	1	1	option parts for
40	S04030	062500616	螺钉M5×6	Screw, pan M5×6	1	1	1	dry type

J. 定规部件/Gauge parts



N. 下轴装置/Lower shaft mechanism



J. 定规部件/Gauge parts

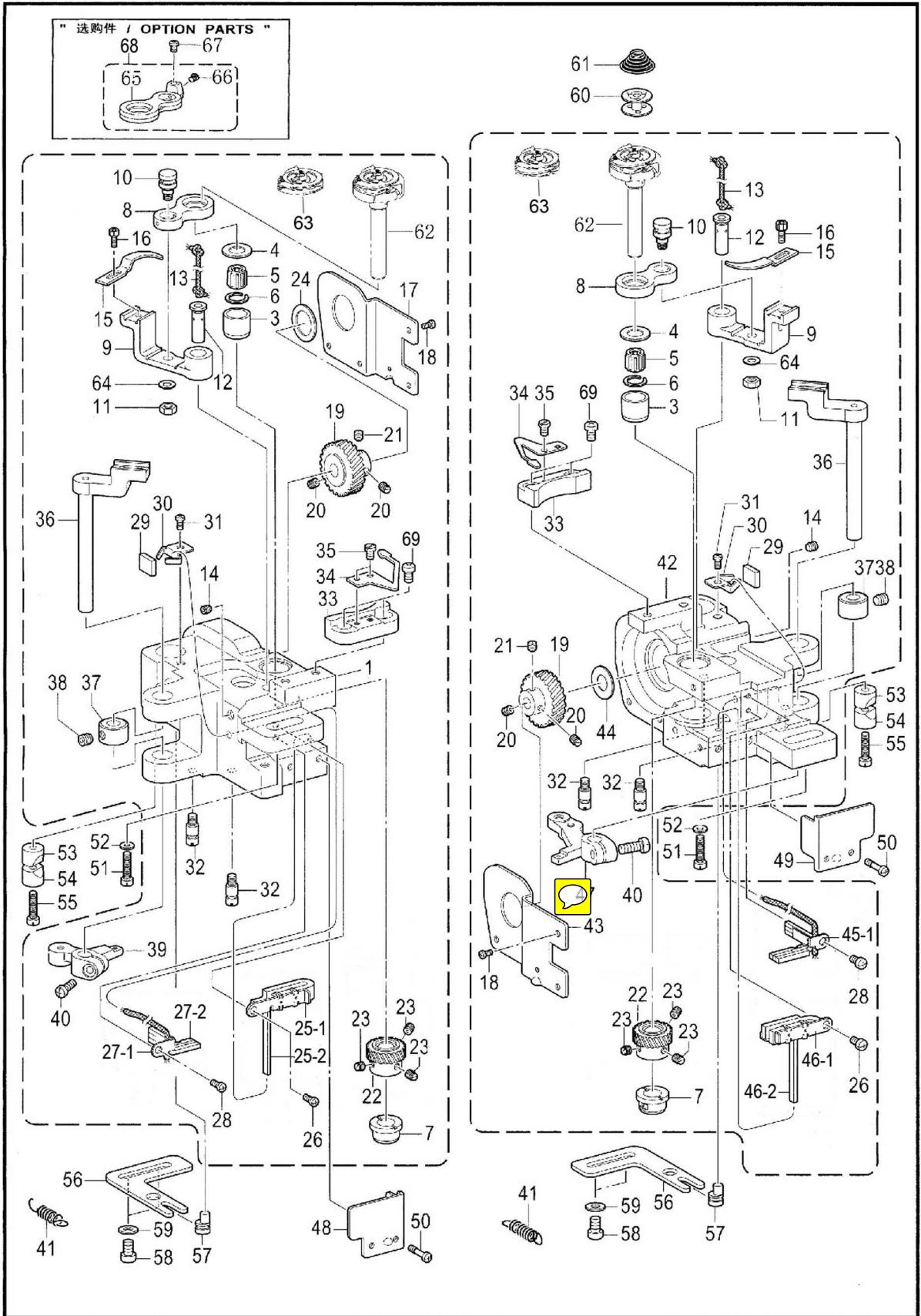
序号 No.	件号 Part No.	参考件号 Ref.Part No.	零部件名称	Name of parts	数量 Amt.			备注
					□□3	□□5	□□F	
1	★		针夹组件	Needle clamp assy	1	1	1	58□20□
2	116S11012	116323001	螺钉SM3.57	Screw, SM3. 57	2	2	2	58420/58720
3	★		针板	Needle plate	1	1	1	
4	129S30014	S11244001	针板螺钉SM4.37	Screw, SM4. 37	1	1	1	
5	129S17003	100032004	平头螺钉SM4.37×40	Screw, flat SM4. 37×40×8	1	1	1	
6	★		压脚组件	Presser foot assy	1	1	1	
7	129S11010	113050001	螺钉M3.5	Screw, M3. 5	1	1	1	
8	★		送布牙	Feed dog	1	1	1	
9	129S13002	S07494001	螺钉SM3.18×44×7	Screw, w/socket SM3. 18×44×7	2	2	2	
10	★		针夹组件L	Needle clamp assy, L	1	1		58□50□
11	★		针夹组件R	Needle clamp assy, R	1	1		58□50□
12	129S15006	013660412	螺钉SM3.18	Screw, SM3. 18	2	2		58450/58750
13	129S15007	S13085001	螺钉SM3.18	Set screw SM3. 18	2	2		58450/58750
14	117S11023	149831101	螺钉SM3.18	Set screw SM3. 18	2	2		58450/58750

★参考针位组零件明细表/★Reference gauge parts list

N. 下轴装置/Lower shaft mechanism

No.	件号 Part No.	参考件号 Ref.Part No.	零部件名称	Name of parts	数量 Amt.			备注
					□□3	□□5	□□F	
1	12903011	SA3890001	旋梭基座轴套L	Rotary hook base bush, L	1	1	1	
2	12923023	SA4585001	油毡	Felt	1	1	1	
3	12903012	SA3891001	旋梭基座轴套R	Rotary hook base bush, R	1	1	1	
4	12923023	SA4585001	油毡	Felt	1	1	1	
5	12902010	SA2571001	下轴	Lower shaft	1	1	1	
6	12910005	SA2759001	抬压凸轮	F-lifting eccentric wheel assy	1	1	1	
	12910302	SA2580101	上下偏心轮	F-lifting eccentric wheel assy	1	1		直驱/Direct drive
7	S07004	SA2575001	螺钉M6×6	Set screw, (ft)M6×6	1	1	1	
8	12903013	SA2584001	轴承套	Ball bearing bush	1	1	1	
9	B10002	S38707001	球轴承 6004ZZNR	Ball bearing, thrust 6004ZZNR	1	1	1	
10	S10020	SA2585001	固定螺钉M6×10	Set screw, socket (ft)M6×10	1	1	1	
11	S09017	S23651001	螺钉M6×10	Set screw, socket (ft)M6×10	1	1	1	
12	12935004	SA2587101	同步轮D组件	Timing pulley assy, D	1	1	1	
13	B10009	158115001	球轴承 6204ZZNR	Ball bearing, thrust 6204ZZNR	1	1	1	
14	S10020	SA2585001	固定螺钉M6×10	Set screw, socket (ft)M6×10	1	1	1	
15	S10023	SA4213001	固定螺钉M6×10	Set screw, socket (CP)M6×10	1	1	1	

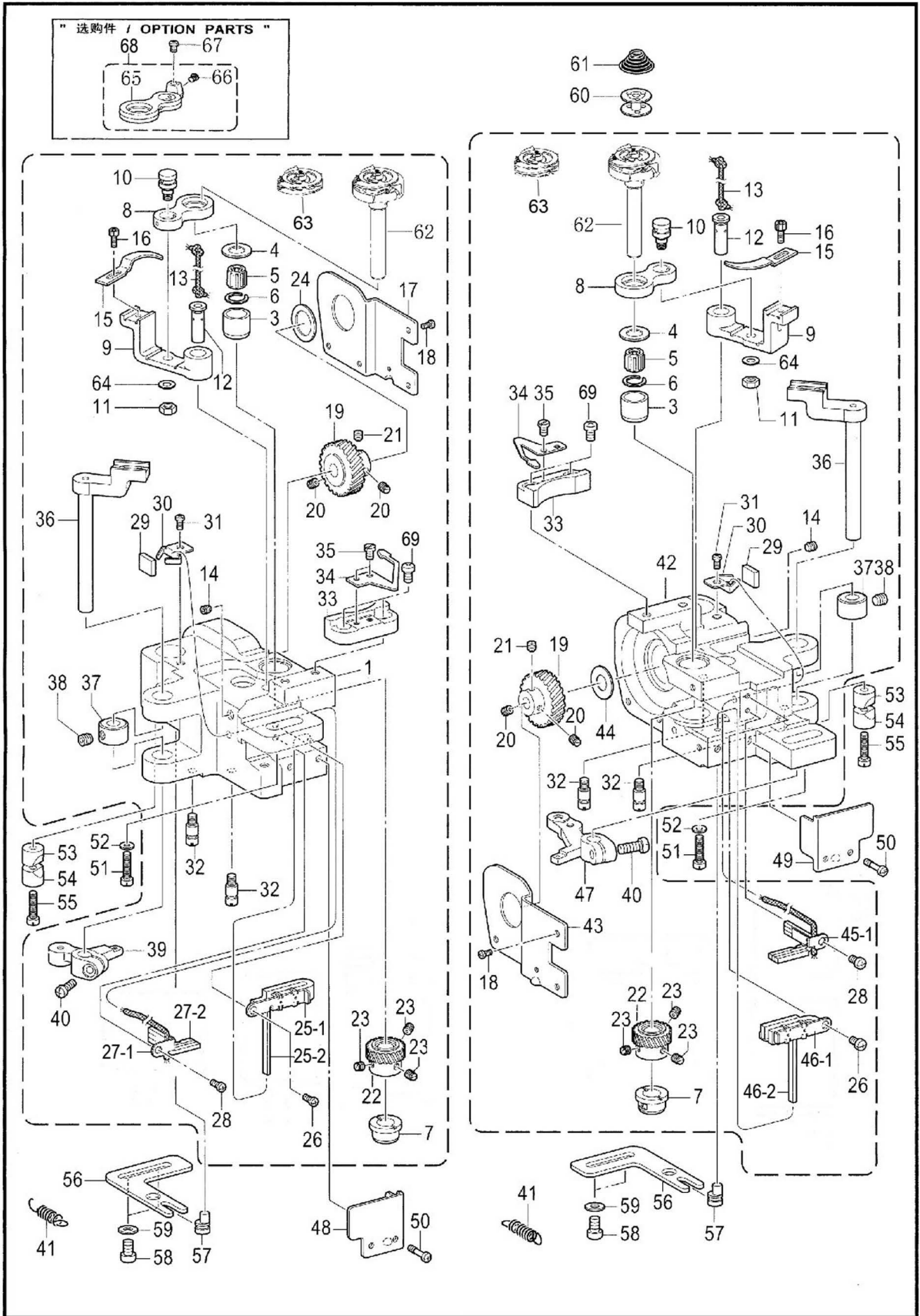
K1 . 旋梭装置 / Rotary hook mechanism



K1. 旋梭装置/Rotary hook mechainsm

序号 No.	件号 Part No.	参考件号 Ref.Part No.	零部件名称	Name of parts	数量 Amt.			备注
					□□3	□□5	□□F	
1	12918008	SA2955001	梭架(左)	Rotary hook base(L)	1	1	1	58420/58450
	12918201	SA2959001	梭架(左)	Rotary hook base(L)	1	1	1	58720/58750
	1291830300	SA4435201	梭架(左)组件	Rotary hook base(L) assy	1	1	1	58420D/58450D
	1291830500	SA2797501	梭架(左)组件	Rotary hook base(L) assy	1	1	1	58720D/58750D
3	11603011	SA4029001	旋轴上轴套	Rotary hook shaft bush	2	2	2	58420/58450
	11803001	S09259001	旋轴上轴套	Rotary hook shaft bush	2	2	2	58720/58750
4	12928004	S09260001	轴向垫圈A 1.2MM	Thrust ring,A:1.2MM<t=1.2>	2	2	2	
4	12928005	SA4038001	轴向垫圈1.0MM	Thrust ring<t=1.0>	2	2	2	
4	12928006	S09261001	轴向垫圈B 1.4MM	Thrust ring,B:1.4MM<t=1.4>	2	2	2	
4	12928007	SA4444001	轴向垫圈B 0.8MM	Thrust ring,0.8MM<t=0.8>	2	2	2	
5	11624004	S07420000	滚针轴承	Needle bearing	2	2	2	
6	11629004	S07419001	梭轴上轴挡圈	Retaining ring	2	2	2	
7	12903008	SA6474001	旋梭轴套D	Rotary hook shaft bush	2	2	2	
8	12905013	SA3856001	分线钩连杆	Opener link	2	2	2	58420/58450
	12905303	SA3857001	分线钩连杆	Opener link	2	2	2	58720/58750
9	12905014	SA3859001	分线钩杆	Opener lever	2	2	2	58420/58450
	12905304	SA3861001	分线钩杆	Opener lever	2	2	2	58720/58750
10	12902009	SA2560001	分线钩连杆轴	Shaft, Olink	2	2	2	
64	12928008	025710132	平垫圈S4.76	Washer, plain S4.76	2	2	2	
11	N01017	021500316	六角螺母M5	Nut3 M5	2	2	2	
12	12926009	SA3889101	分线钩杆短轴	Olever shaft	2	2	2	
13	12923018	SA4026001	油线 4×4 L=100	Wick, 4×4L=100	2	2	2	
14	S09019	012501031	螺钉M5×5	Set screw, socket (ft)M5×5	2	2	2	
15	11612014	S38212001	分线钩	Opener	2	2	2	
16	129S13003	154965001	螺钉SM3. 57×8	Bolt, socket SM3. 75×8	2	2	2	
17	12912024	SA2562201	旋梭基座盖L	Rotary hook base cover, L	1	1	1	
18	S04037	062300612	螺钉M3×6	Screw, pan M3×6	8	8	8	
19	12925003	SA2572001	螺旋齿轮(大)	Spiral gear	2	2	2	
20	S08005	SA2574001	螺钉M6	Set screw, (ft)M6	4	4	4	
21	S07004	SA2575001	螺钉M6	Set screw, (ft)M6	2	2	2	
22	12925004	SA6301001	螺旋齿轮(小)	Spiral gear	2	2	2	
23	S10029	SA2574001	螺钉M6×5	Set screw, (ft)M6×5	6	6	6	
24	12928009	SA3054001	垫圈 L	Thrust washer, L	1	1	1	
25-1	12912055		油毡架	Felt support	1	1	1	
25-2	12923032	SA6424101	油毡	Felt	1	1	1	
26	S04035	062400616	螺钉M4×6	Screw, pan M4×6	2	2	2	
27-1	12912054		油毡架	Felt support	1	1	1	
27-2	12923016	SA4044001	油毡	Felt	1	1	1	
28	S04035	062400616	螺钉M4×6	Screw, pan M4×6	2	2	2	
29	12923008	SA4012001	油毡	Felt	2	2	2	
30	12912027	SA3894001	油毡架	Felt support	2	2	2	
31	S04035	062400616	螺钉M4×6	Screw, pan M4×6	2	2	2	
42	12918009	SA3956001	梭架(右)	Rotary hook base(R)	1	1	1	58420/58450
	12918202	SA3960001	梭架(右)	Rotary hook base(R)	1	1	1	58720/58750
	1291830400	SA4436201	梭架(右)组件	Rotary hook base(R) assy	1	1	1	58420D/58450D
	1291830600	SA2802501	梭架(右)组件	Rotary hook base(R) assy	1	1	1	58720D/58750D
43	12912028	SA2563301	旋梭基座盖R	Rotary hook base cover, R	1	1	1	
44	12928010	SA2579001	垫圈	Specer	1	1	1	
45-1	12912052	SA6425101	油毡架UR	Felt support UR	1	1	1	
46-2	12923015		油毡	Felt	1	1	1	
46-1	12912053	SA4045001	油毡架DR	Felt support DR	1	1	1	
48	12912031	SA6462001	旋梭基座盖FL	Rotary hook base cover, FL	1	1	1	

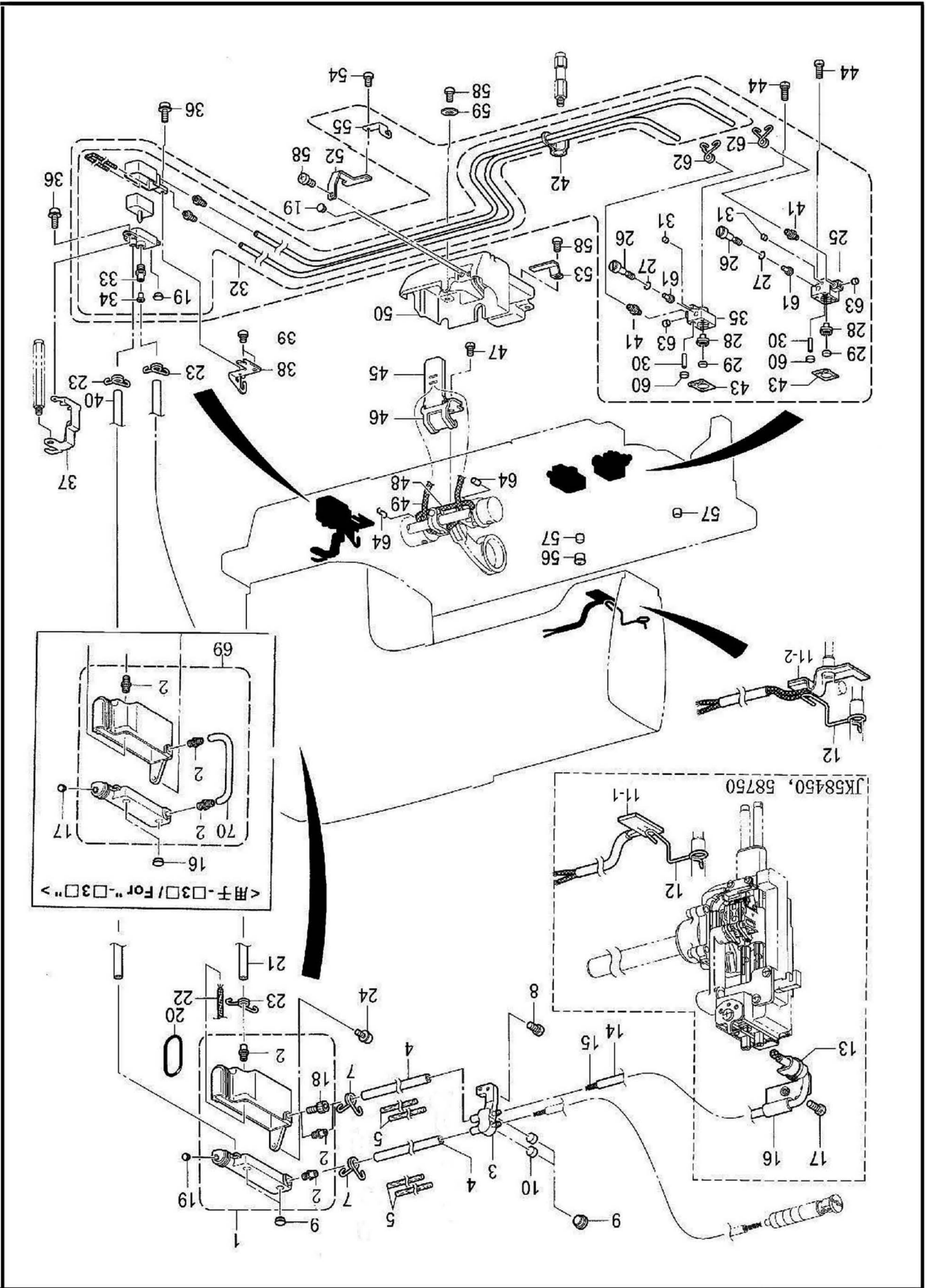
K1 . 旋梭装置 / Rotary hook mechanism



K1. 旋梭装置/Rotary hook mechainsm

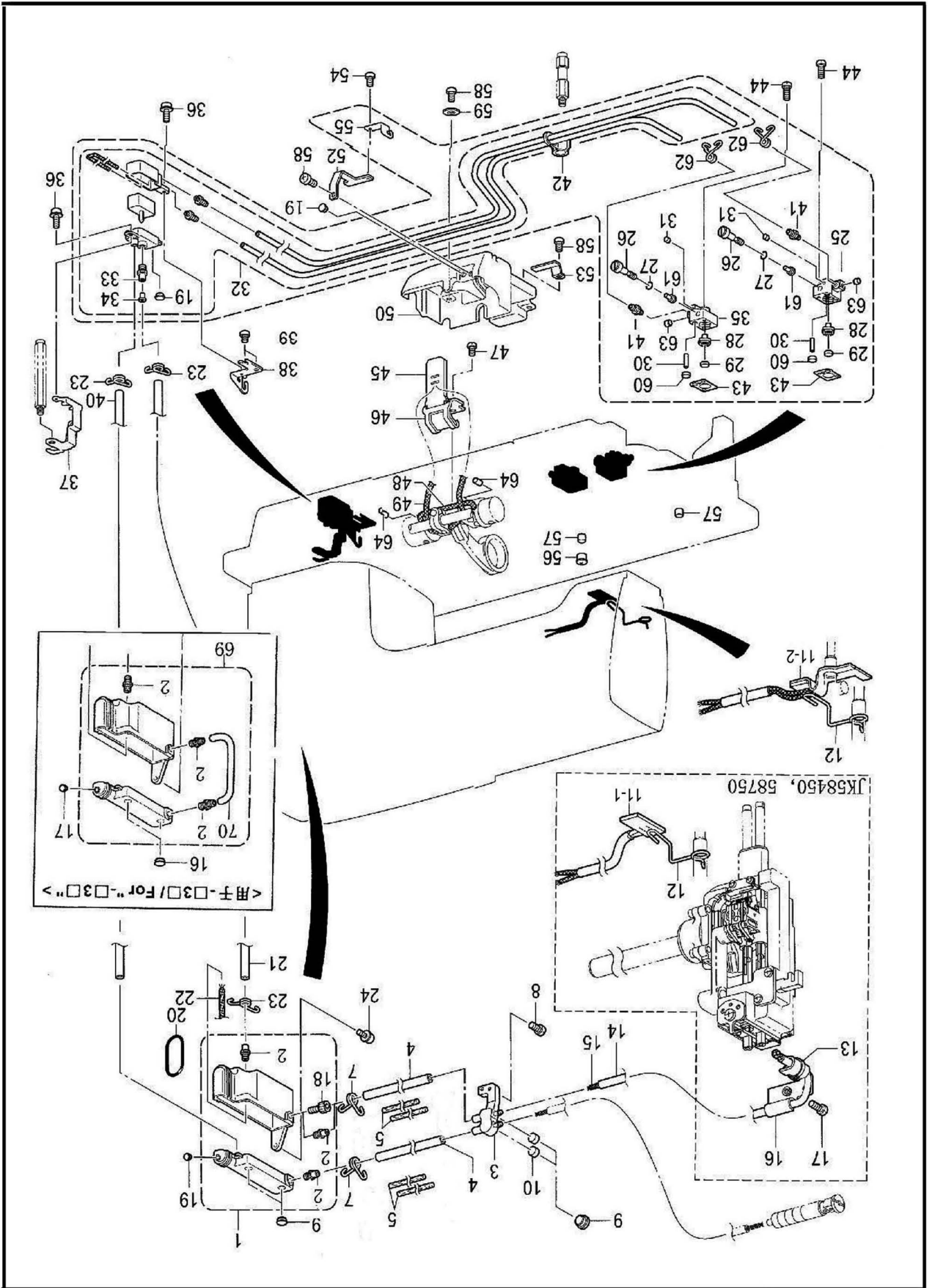
序号 No.	件号 Part No.	参考件号 Ref.Part No.	零部件名称	Name of parts	数量 Amt.			备注
					□□3	□□5	□□F	
49	12912032	SA6463001	旋梭基座盖FR	Rotary hook base cover, FR	1	1	1	
50	129S30011	SA6417001	螺钉M4×12	Screw, M4×12	4	4	4	
51	129S11003	SA2556001	螺钉M6×25	Screw, M6×25	2	2	2	
55	129S11003	SA2556001	螺钉M6×25	Screw, M6×25	2	2	2	
52	20628003	115947101	主轴右垫片	Washer, plain 6.35	2	2	2	
53	12903009	SA2722001	套管A	Pinch sleeve A	2	2	2	
54	12903010	SA2565001	套管B	Pinch sleeve B	2	2	2	
56	12912033	SA2567001	调节板	Needle upper positioning plate	2	2	2	
57	12910004	SA2568001	调节轴	Needle upper positioning shaft	2	2	2	
58	S04038	062061016	螺钉M6×10	Screw, pan M6×10	4	4	4	
59	W01003	025060136	平垫圈S6	Washer, plain S6	4	4	4	
60	11618001	S01928151	梭芯	Bobbin	2	2	2	58420/58450
	11818001	S09285051	梭芯	Bobbin	2	2		58720/58750
61	12918022	148602001	调整簧	Bobbin Spring	2	2		58420D/58450D
	12918024	S09286000	梭心座簧	Bobbin Spring	2	2		58720D/58750D
62	1291800600		旋梭组件	Rotary hook assy	2			58420-003
	1291800700		旋梭组件	Rotary hook assy		2		58420-005
	1161800400		旋梭组件(国产)	Rotary hook assy(C)	2	2		58420C
	1171800100		旋梭组件	Rotary hook assy	2	2		58450
	1291802600		旋梭组件(国产)	Rotary hook assy(C)	2	2		58450C
	1181800200		旋梭组件	Rotary hook assy	2	2		58720
	1291802700		旋梭组件(国产)	Rotary hook assy(C)	2	2		58720C
	1191800100		旋梭组件	Rotary hook assy	2	2		58750
	1191800400		旋梭组件(国产)	Rotary hook assy(C)	2	2		58750C
	1291801400		旋梭组件	Rotary hook assy	2	2		58420D
	1291801500		旋梭组件	Rotary hook assy	2	2		58450D
	1291802900		旋梭组件(国产)	Rotary hook assy(C)	2	2		58450CD
	1291802800		旋梭组件(国产)	Rotary hook assy(C)	2	2		-58720CD/58750CD
	1291801600		旋梭组件	Rotary hook assy	2	2		58720D
	1291801700		旋梭组件	Rotary hook assy	2	2		58750D
63	12918029		梭心套(国产)	Bobbin case assy(C)	2	2		58450C
	12918030		梭心套(国产)	Bobbin case assy(C)	2	2		58750C
32	129S20301	SA2717001	定位螺钉	Stopper screw	4	4		直驱/Direct drive
33	12904301	SA2676001	动刀座	Movable knife bracket	2	2		直驱/Direct drive
34	12927301	S07525100	板弹簧	Bobbin thread holding spring	2	2		直驱/Direct drive
35	120S11012	141544001	螺钉SM3. 18×40	Screw SM3. 18×40 L=3	4	4		直驱/Direct drive
36	12904302	SA3912001	动刀杆	Movable knife lever	2	2		直驱/Direct drive
37	12903303	SA2675001	紧圈	Set screw collar	2	2		直驱/Direct drive
38	S10018	S23651001	固定螺钉M6×6	Set screw M6×6	2	2		直驱/Direct drive
39	12912305	SA2671001	切线杠杆 L	Thread trimming lever L	1	1		直驱/Direct drive
47	12912306	SA2670101	切线杠杆 R	Thread trimming lever R	1	1		直驱/Direct drive
40	S05005	062501212	螺钉M5×12	Screw, pan M5×12	2	2		直驱/Direct drive
41	12927302	SA2826001	弹簧	Spring		2		直驱/Direct drive
	12927307	SA4458001	弹簧B	Spring B	2			直驱/Direct drive
69	S04011	062400812	螺钉M4×8	Screw M4×8	4	4		直驱/Direct drive
68	1290550200		分线钩连杆组件	Opener link assy	2	2		选购件用于无油型, option parts for dry type
65	12905503		分线钩连杆	Opener link	2	2		
66	129S11501		螺钉M2	Screw M2	2	2		
67	S04021		螺钉M4×4	Screw, pan M4×4	2	2		

※序号1和42, 直驱以组件方式供货; C表示国产旋梭



L. 供油润滑装置/Lubrication

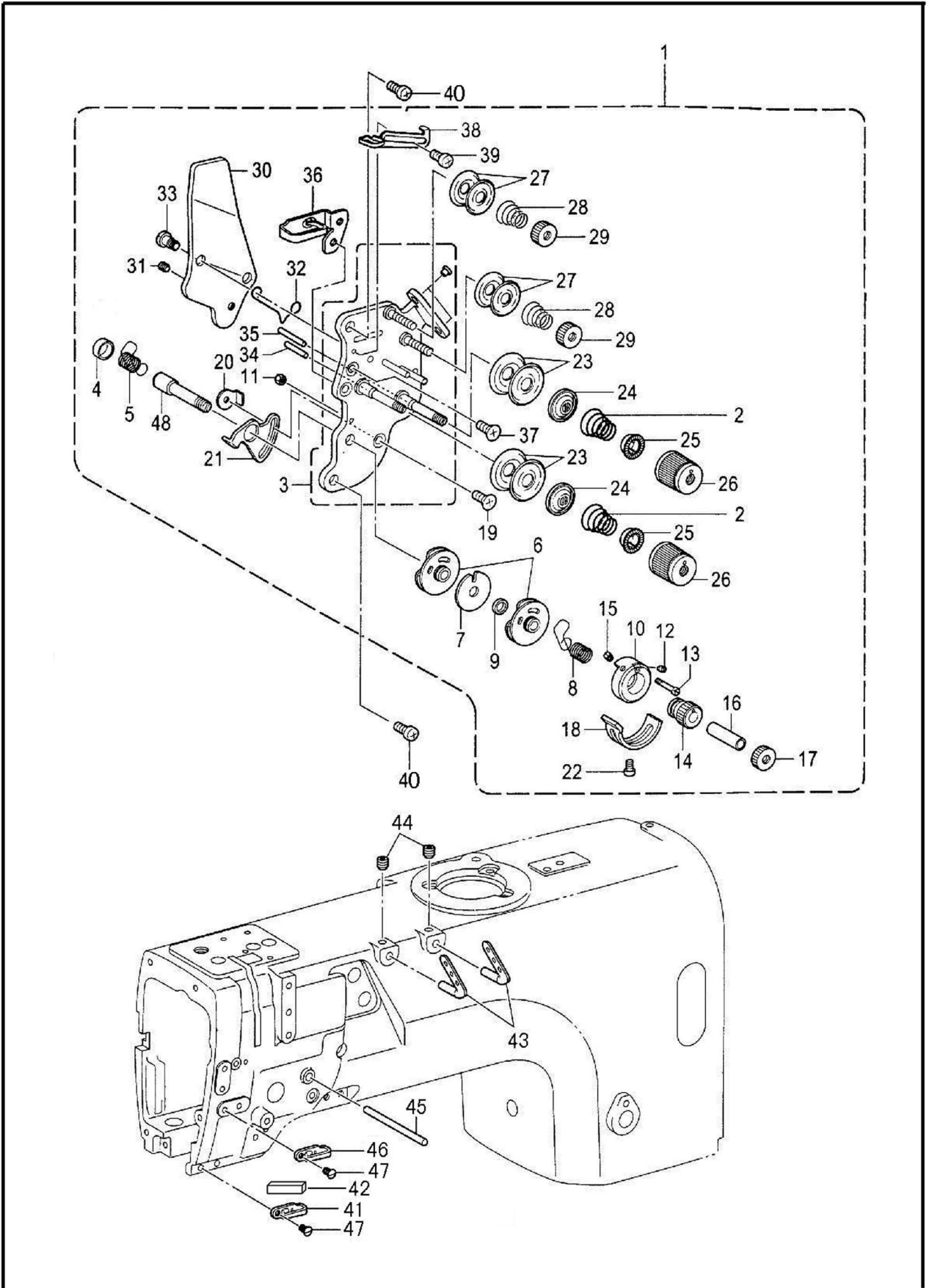
序号 No.	件号 Part No.	参考件号 Ref.Part No.	零部件名称	Name of parts	数量 Amt.			备注
					□□3	□□5	□□F	
1	12911004	SA4205101	油罐组件	Oil tank assy	1	1	1	
2	129S30009	SA3040001	供油口 8.6	Oil feeding pipe, 8.6	2	2	2	58420/58720
	129S30009	SA3040001	供油口 8.6	Oil feeding pipe, 8.6	4	4	4	58450/58750
3	12936002	SA3946001	油管接头	Oil terminal	1	1	1	
4	12921006	SA2956001	维尼龙油管L=135	Oil tube, L=135	1	1	1	
	12921006	SA2956001	维尼龙油管L=135	Oil tube, L=135	2	2	2	58450/58750
5	12923009	SA2957001	油毡	Felt	2	2	2	
	12923009	SA2957001	油毡	Felt	4	4	4	58450/58750
7	12912038	SA3055101	油管夹	Tube clip	4	4	4	
8	S04028	062500816	螺钉M5×8	Screw, pan M5×8	1	1	1	
9	12922001	SA2929001	橡皮塞12.5	Rubber cap, 12.5	3	3	3	
	12922001	SA2929001	橡皮塞12.5	Rubber cap, 12.5	4	4	4	58450/58750
10	12923010	S38266000	油毡	Rotary hook shaft felt	1	1	1	
	12923010	S38266000	油毡	Rotary hook shaft felt	2	2	2	58450/58750
11-1	12923035		油毡块	Felt assy	1	1	1	
11-2	12923036		油毡垫	Felt assy	1	1	1	58420/58720
12	12912035	SA4033101	油毡压架	Felt support	1	1	1	
13	61910003		尼龙扎带3×80		2	2	2	
14	12921002		油管L=280	Tube L=280	1	1	1	58450/58750
15	12923018		油线 4×4 L=380	Wick, 4×4 L=380	1	1	1	
16	12912065	SA5154001	油管支架	Tube support	1	1	1	58450/58750
17	S04028		螺钉M5×8	Screw, pan M5×8	1	1	1	58450/58750
18	S05079	018081236	螺栓M8×12	Bolt, socket M8×12	1	1	1	58420/58720
19	41222006	104450101	橡皮塞8	Rubber cap, 8	1	1	1	
20	12922013	081038070	O形圈P38	O ring P38	1	1	1	
21	12921006	SA2723001	维尼龙油管L=210	Oil tube, L=210	1	1	1	
22	12923019	SA2724001	油线L=400	Wick, L=400	1	1	1	
23	12912038	SA3055101	油管夹	Tube clip	3	3	3	
24	129S30016	0A5501006	螺栓(带垫圈)M5	Screw, pan(S/P washer)M5×10	2	2	2	
25	12901007	SA3896001	集油器L	Oil block, L	1	1	1	
26	129S20004	SA6475001	油量调整螺栓	Oil adjusting screw	2	2	2	
27	001004	081004070	O形圈P4	O ring P4	2	2	2	
28	12922007	SA6468001	橡皮垫片	Rubber packing	2	2	2	
29	12922008	SA6423001	旋梭轴垫片	Rotary hook shaft felt	2	2	2	
30	12923012	SA6415001	油毡	Felt	2	2	2	
31	12922016	142274101	橡皮塞4.3	Rubber cap, 4.3	2	2	2	
32	12911005	SA3037001	副油罐组件	Subtank assy	1	1	1	
33	129S30009	SA3040001	供油口 8.6	Oil feeding pipe	1	1	1	
34	12922010	SA3060001	油门垫片	Valve packing	1	1	1	
35	12901008	SA3898001	集油器R	Oil block, R	1	1	1	
36	129S30017	0A4400806	螺栓(带垫圈)M4	Screw, pan(S/P washer)M4×8	2	2	2	
37	12912036	SA3045201	副油罐安装架A	Subtank setting plate, A	1	1	1	
38	12912037	SA3046001	副油罐安装架B	Subtank setting plate, B	1	1	1	
39	S04033	062060816	螺钉M6×8	Screw, pan M6×8	2	2	2	
40	12921006	SA3044001	维尼龙油管L=242	Oil tube, L=242	1	1	1	
41	12936003	S51815001	油嘴管3.8	Oil feeding pipe, 3.8	4	4	4	
42	12911006	SA6472001	油管固定夹	Tube support	1	1	1	
43	12928011	SA3923101	旋梭台D垫片	Rotary hook base D packing	2	2	2	
44	S04039	062401616	螺钉M4×16	Screw, pan M4×16	4	4	4	
45	12923014	SA2604001	油毡	Feed regulator felt	1	1	1	
46	12912039	SA2605001	油毡压架	Felt support	1	1	1	
47	S04030	062500616	螺钉M5×6	Screw, pan M5×6	1	1	1	



L. 供油润滑装置/Lubrication

序号 No.	件号 Part No.	参考件号 Ref.Part No.	零部件名称	Name of parts	数量 Amt.			备注
					□□3	□□5	□□F	
48	12923018	109405001	油线 4×4 L=100	Wick, 4×4 L=100	1	1	1	
49	12923018	108801001	油线 4×4 L=350	Wick, 4×4 L=350	1	1	1	
50	12911007	SA2606101	油盖	Oil cover	1	1	1	
52	12912040	SA3048101	油管压架A	Tube support, A	1	1	1	
53	12912041	SA3049001	油管压架B	Tube support, B	1	1	1	
54	S04035	062400616	螺钉M4×6	Screw, pan M4×6	1	1	1	
55	12912042	SA6473001	油管导向	Tube guide	1	1	1	
56	12922012	140890009	油盖	Oil cap	1	1	1	
57	12923030	112753001	油毡	Felt	2	2	2	
58	S04038	062061016	螺钉M6×10	Screw, pan M6×10	3	3	3	
59	W01003	025060236	平垫圈M6	Washer, plain M6	1	1	1	
60	12923010	SA6423001	旋梭轴油毡	Rotary hook shaft felt	2	2	2	
61	12926013	SA6416001	油量调节销	Rubber presser	2	2	2	
62	12927020	SA4508001	油管夹	Tube clip	4	4	4	
63	12922009	140327001	橡皮塞6.3	Rubber cap, 6.3	2	2	2	
64	12923012	148743001	油毡	Felt	2	2	2	
70	12921006	SA3949001	维尼龙油管L=50	Oil tube, L=50	1	1	1	用于□3□, For□ 3□

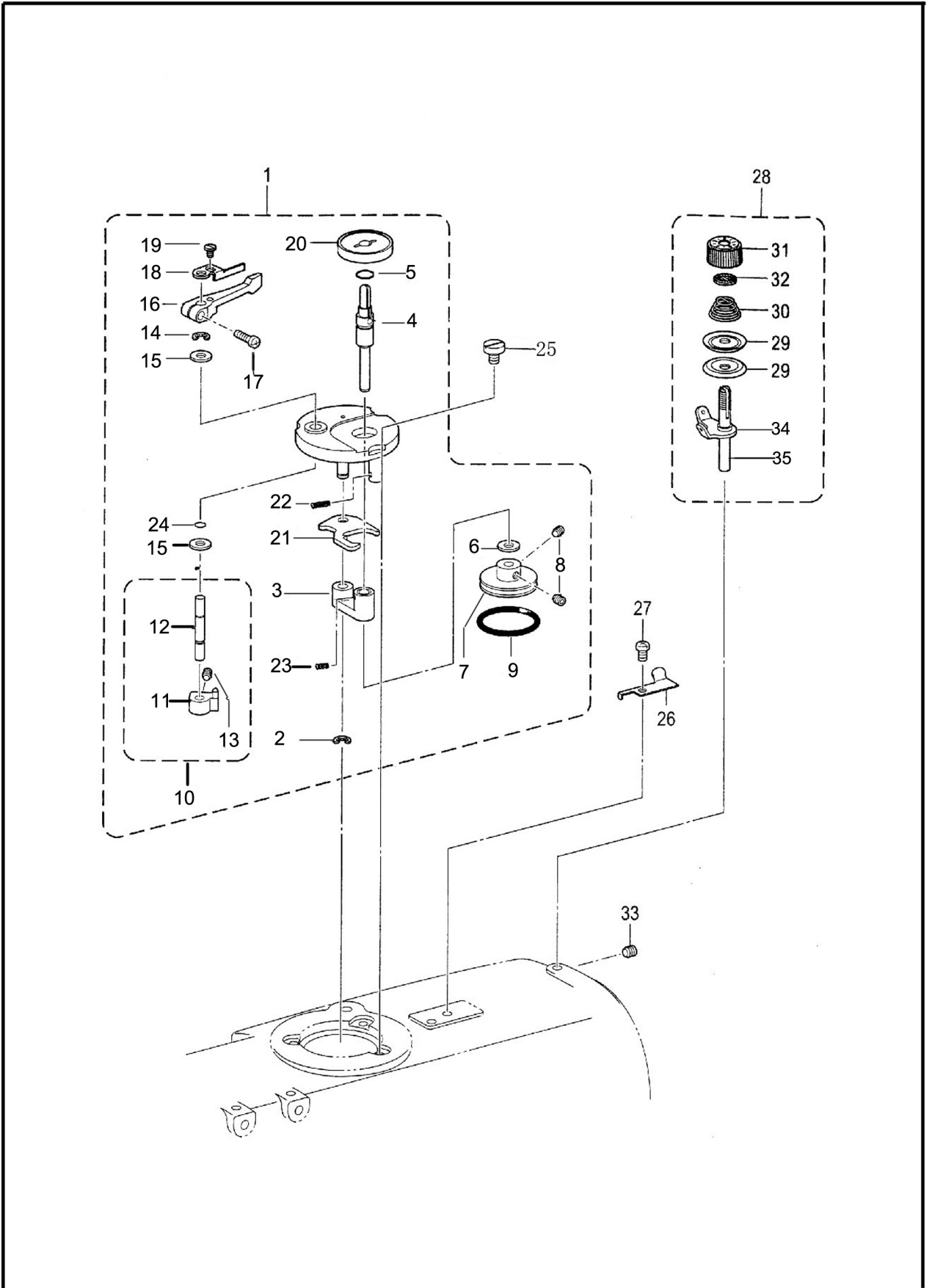
M. 穿线装置/Threading mechanism



M. 穿线装置/Thread mechanism

序号 No.	件号 Part No.	参考件号 Ref.Part No.	零部件名称	Name of parts	数量 Amt.			备注
					□□3	□□5	□□F	
1	1291300300	SA3417301	面线调节组件3	Upper Thread Tension Assy, 3	1			
2	12927008	SA3415001	夹线弹簧-3	Tension Spring, L	2			
1	1291300400	SA2607301	面线调节组件5	Upper Thread Tension Assy, 5		1		
2	12927009	SA3416101	夹线弹簧-5	Tension Spring, LL		2		
1	1291301200	SA2818001	面线调节组件1	Upper Thread Tension Assy, 1			1	
2	12927021	SA3414001	弹簧M	Tension Spring, M			2	
3	12912043	SA4212001	调整台组件	Tension Plate Assy	1	1	1	
4	12922020	SA2613001	盖子	Cap	1	1	1	
5	12927010	SA2614201	弹簧L	Thread Takeup Spring, L	1	1	1	
6	1291300500	SA2615001	导向组件	Guide Assy, T/Takeup Spring	2	2	2	
7	12928035	SA2619001	垫片	Spacer	1	1	1	
8	12927011	SA2623201	弹簧R	Thread Takeup Spring, R	1	1	1	
9	12903014	SA2620001	轴套	Collar	1	1	1	
10	12908006	SA2621001	定位圈	Stopper Support	1	1	1	
11	N01013	021300106	螺母M3	Nut, 1M3	1	1	1	
12	129S15006	SA2626001	螺钉M3.5	Set screw, (cp)M3.5	1	1	1	
13	129S11008	SA2624001	固定螺栓	Spring guide set screw	1	1	1	
14	12913022	SA2625001	调节旋钮	Adujusting thumb	1	1	1	
15	129S15006	SA2626001	螺钉M3.5	Set screw, (cp)M3.5	1	1	1	
16	12903015	SA2627001	轴套	Collar	1	1	1	
17	129S30044	SA2628001	调线螺母	Tension nut	1	1	1	
18	12912044	SA2629001	弹簧限位板	Stopper	1	1	1	
19	129S17004	061350616	螺钉M3.5×6	Screw, flat M3.5×6	1	1	1	
20	12912084	SA2824001	定位螺钉M3.5	Nut, whirlstop M3.5	1	1	1	
21	12912045	SA2630001	限位板	Stopper	1	1	1	
22	129S30026	062350512	螺钉M3.5×5	Screw, pan M3.5×5	1	1	1	
23	12913007	145446001	夹线盘	Disc, tension	4	4	4	
24	12913008	159805001	夹线压盘	Tension disc presser	2	2	2	
25	12911008	S20681000	调节弹簧垫圈	Wacher	2	2	2	
26	129S30019	S20682105	调节螺母	Tension nut	2	2	2	
27	12928036	144504001	小夹线垫片	Thread guide disc	4	4	4	
28	12927012	154560101	小夹线弹簧A	Pretension spring, A	2	2	2	
29	129S30012	155510001	夹线螺母	Tension nut	2	2	2	
30	12913009	SA2632001	松线板	Tension releade plate	1	1	1	
31	S09019	012500536	螺钉M5×5	Set screw, socket (ft)M5×5	1	1	1	
32	12927013	S38274001	松线弹簧	Treleadw spring	1	1	1	
33	129S30020	SA2633001	段螺钉M3.5	Shoulder screw, M3.5	2	2	2	
34	12926011	SA4506001	松线销L	Tension release pin, L	1	1	1	
35	12926012	SA4507001	松线销R	Tension release pin, R	1	1	1	
36	12912046	SA2634001	线导向U	Thread guide, U:arm	1	1	1	
37	129S17004	061350616	螺钉M3.5×6	Screw, flat M3.5×6	2	2	2	
38	12912047	SA2635001	线调整	Thread quantity adjust	1	1	1	
39	129S30027	062300616	螺钉M3×6	Screw, pan M3×6	1	1	1	
41	12912048	SA2639001	线导向D	Thread guide, D:arm	1	1	1	
42	11623022	114941001	过线钩油毡	Felt	1	1	1	
40	S04028	062500816	螺钉M5×8	Screw, pan M5×8	2	2	2	
43	12913010	SA2636001	三眼线勾	Thread retainer	2	2	2	
44	S10019	012060636	螺钉M6×6	Set screw, socket (ft)M6×6	2	2	2	
45	12902011	SA2637001	松线轴	Bar, tension release	1	1	1	
46	12912049	SA2638001	线导向M	Thread guide, M:arm	1	1	1	
47	129S17002	SA2640001	螺钉M5×8	Screw, flat M5×8	2	2	2	
48	12926010	SA6378001	调整短轴	Tension Stud	1	1	1	

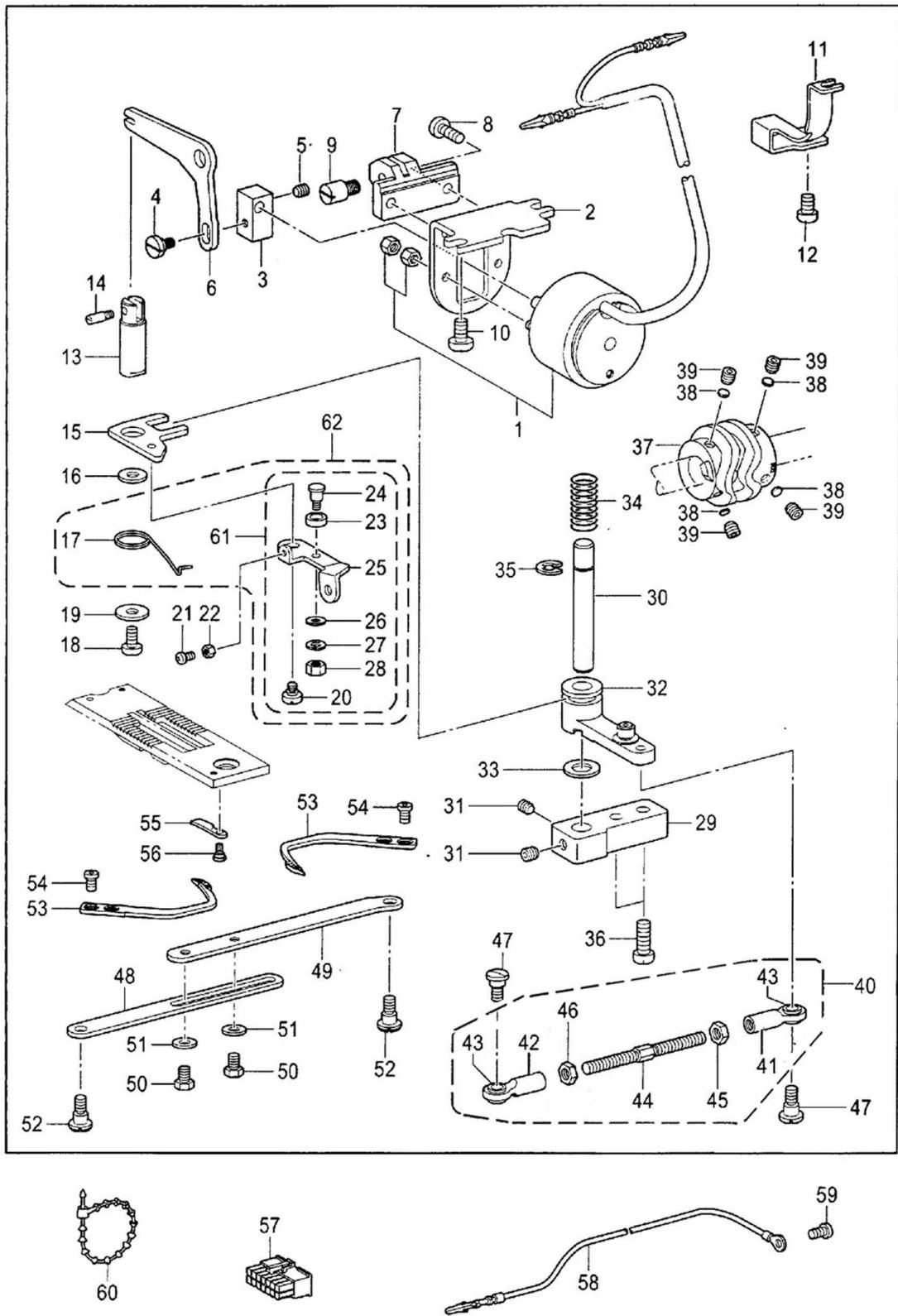
P. 卷线装置/Bobbin winder mechanism



P. 卷线装置/Bobbin winder mechanism

序号 No	件号 Part No.	参考件号 Ref.Part No.	零部件名称	Name of parts	数量 Amt.			备注
					□□3	□□5	□□F	
1	1293100300	SA1971101	卷线器组件	Bobbin Winder Unit	1	1	1	
2	H05012	048040342	挡圈E4	Retaining Ring, E4	1	1	1	
3	1290100500	SA1975001	卷线轴基座	B-Winder Shaft Support Assy	1	1	1	
4	12902012	SA1978001	绕线轴	Bobbin Winder Shaft	1	1	1	
5	001008	081009070	O形圈P9	O Ring, P9	1	1	1	
6	12928021	025060136	平垫圈S6	Washer, Plain S6	1	1	1	
7	12935005	SA1980001	卷线轮	Bobbin Winder Wheel	1	1	1	
8	S09019	012500536	螺钉M5×5	Set Screw, Socker (FT)M5×5	2	2	2	
9	12922014	S25789000	橡皮垫圈29	Rubber Ring, 29	1	1	1	
10	1291000600	SA1981101	梭芯夹凸轮组件	Bobbin Presser Cam Assy	1	1	1	
11	12910007	SA1982101	梭芯夹凸轮	Bobbin Presser Cam	1	1	1	
12	12902013	SA1983001	梭芯夹轴	Bobbin Winder Arm Shaft	1	1	1	
13	S09019	012500536	螺钉M5×5	Set Screw, Socker (FT)M5×5	1	1	1	
14	H05012	048040342	挡圈E4	Retaining Ring, E4	1	1	1	
15	12928022	025060136	平垫圈S6	Washer, Plain S6	2	2	2	
16	12904005	SA1984001	梭芯压臂柄	Bobbin Presser Arm	1	1	1	
17	S05231	062401216	螺钉M4×12	Screw, Pan M4×12	1	1	1	
18	12912050	SA1985001	梭芯夹	Bobbin Presser	1	1	1	
19	129S11007	S23418002	螺钉M4×5	Screw, M4×5	1	1	1	
20	12911009	SA1988001	梭芯座	Bobbin Support	1	1	1	
21	12912051	SA1989001	卷线杠杆	Bobbin Winder Lever	1	1	1	
22	12907014	SA1990101	弹簧	Spring	1	1	1	
23	12907015	SA1991001	弹簧	Bobbin Winder Base Spring	1	1	1	
24	12922030	SA2190001	O形密封圈	O Ring	1	1	1	
25	129S11006	SA1992101	固定螺钉	Bobbin Winder Fixed Screw	3	3	3	
26	12919001	SA1360101	切刀	Knife	1	1	1	
27	S04030	062500616	螺钉M5×6	Screw, Pan M5×6	1	1	1	
28	1291301100	SA1994101	卷线器夹线组件	Bobbin Winder Tension Assy	1	1	1	
29	12913007	145446002	夹线盘	Disc, Tension	2	2	2	
30	12927016	100401022	夹线弹簧	Tension Spring	1	1	1	
31	129S30013	S31032001	压线螺母	Tension Nut	1	1	1	
32	12928014	S12441001	止动垫圈	Washer	1	1	1	
33	S09019	012500536	螺钉M5×5	Set Screw, Socker (FT)M5×5	1	1	1	
34	12913014		过线板	Song Line board	1	1	1	
35	12913023		夹线器轴	Folder spool	1	1	1	

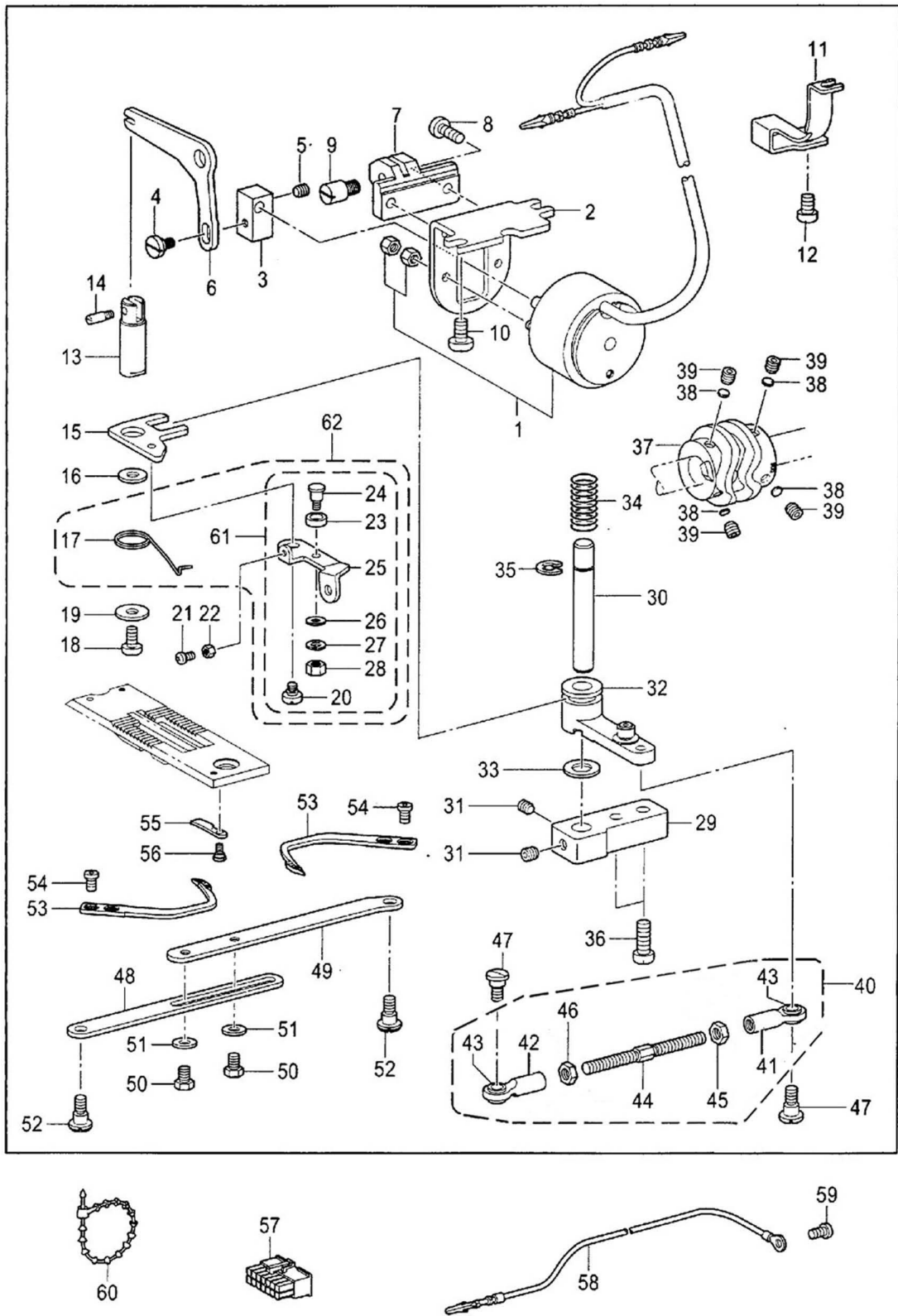
Q. 切线装置/Thread trimmer mechanism



Q. 切线装置/Thread trimmer mechanism

序号 No.	件号 Part No.	参考件号 Ref.Part No.	零部件名称	Name of parts	数量 Amt.			备注
					□□3	□□5	□□F	
1	1293030200	SA2642001	切线电磁铁组件	Thread trimmer solenoid assy.	1	1	1	
2	12912307	SA2643001	切线电磁铁架	Thread trimmer solenoid bracket	1	1	1	
3	12908301	SA2644001	电磁铁接头	Thread trimming solenoid joint	1	1	1	
4	129S20302	SA2645001	段螺钉M5	Shoulder screw, M5	1	1	1	
5	S09019	012500536	螺钉M5×5	Set Screw, Socket (FT) M5×5	1	1	1	
6	12912308	SA2646001	电磁铁杆	Solenoid lever	1	1	1	
7	12901302	SA2728001	电磁铁杆支撑架	Solenoid lever bracket	1	1	1	
8	S04029	062501016	螺钉M5×12	Screw, pan M5×12	2	2	2	
9	129S20303	SA2647001	电磁铁杆短轴	Solenoid lever stud	1	1	1	
10	S04038	062061016	螺钉M6×10	Screw, pan M6×10	2	2	2	
11	12912309	SA2648001	线夹	Fastening band	1	1	1	
12	S04033	062060816	螺钉M6×8	Screw, pan M6×8	1	1	1	
13	12926301	SA2651001	切线轴	Thread trimming driving rod	1	1	1	
14	120S11010	148546001	销	Plunge pin	1	1	1	
15	12912310	SA2652101	切线轴板	Connecting plate	1	1	1	
16	12928301	SA2860001	垫圈	Washer	1	1	1	
17	12927303	SA6395001	弹簧	Spring	1	1	1	
18	S04029	062501016	螺钉M5×12	Screw, pan M5×12	1	1	1	
19	12928302	116662003	垫圈	Washer	1	1	1	
20	129S20304	SA2655001	段螺钉M4	Shoulder screw, M4	1	1	1	
21	S04056	062351216	螺钉M3.5×12	Screw, pan M3.5×12	1	1	1	
22	N01016	021350106	螺母M3.5	Nut M3.5	1	1	1	
23	12903307	SA6392001	松线滚轮	Roller	1	1	1	
24	129S20306	SA6393001	滚轮轴	Roller	1	1	1	
25	12912332	SA6394001	松线杆	Tension release lever	1	1	1	
26	W01004	113431002	垫圈	Washer , plain	1	1	1	
27	W02001	028050246	弹簧垫圈2-5	Washer spring 2-5	1	1	1	
28	N01014	021500106	六角螺母M5	Nut 1 M5	1	1	1	
29	12912312	SA2657001	主杆轴架	Knife main lever shaft bracket	1	1	1	
30	12902302	SA2658001	主杆轴	Knife main lever shaft	1	1	1	
31	S10019	012060636	螺钉M6×6	Screw, pan M6×6	2	2	2	
32	1290130300	SA2659001	主杆组件	Knife main lever assy	1	1	1	
33	12928023	148559100	橡胶垫圈	Rubber cushion	1	1	1	
34	12027001	S07509001	弹簧	Spring	1	1	1	
35	H05008	048070342	挡圈E8	Retaining ring , E8	1	1	1	
36	S04031	062061616	螺钉M6×16	Screw, pan M6×16	2	2	2	
37	12910301	SA2661001	切线凸轮	Thread trimming cam	1	1	1	
38	12928303	SA2378001	垫片4.8	Washer 4.8	4	4	4	
39	S09017	S25236001	螺钉M6×10	Screw, pan M6×10	4	4	4	
40	1293030400		长度调节连杆组件	Joint assy				
41	12905301	SA2663001	球接连杆组件 R	Ball joint assy R	1	1	1	
42	12905302	SA2665001	球接连杆组件 L	Ball joint assy L	1	1	1	
43	12903308	141331002	管套	Bush	2	2	2	
44	129S30301	SA2667001	调节连杆	Length adjusting rod	1	1	1	
45	N01012	021060306	螺母M6	Nut M6	1	1	1	
46	306S16002	SA2668001	左旋螺母M6	Levorotation Nut M6	1	1	1	
47	129S20307	SA2669001	段螺钉M6	Shoulder screw, M6	2	2	2	
48	12912313	SA2672001	切线连杆 R	Thread trimming connecting rod R	1	1	1	
49	12912314	SA2673001	切线连杆 L	Thread trimming connecting rod L	1	1	1	
50	S04028	062500816	螺钉 M5×8	Screw, pan M5×8	2	2	2	
51	12928018	025050236	平垫圈M5	Washer, plain M5	2	2	2	
52	129S20302	SA2645001	段螺钉M5	Shoulder screw, M5 (M4)	2	2	2	
53	12919301	S07526301	动刀	Movable knife	2	2	2	

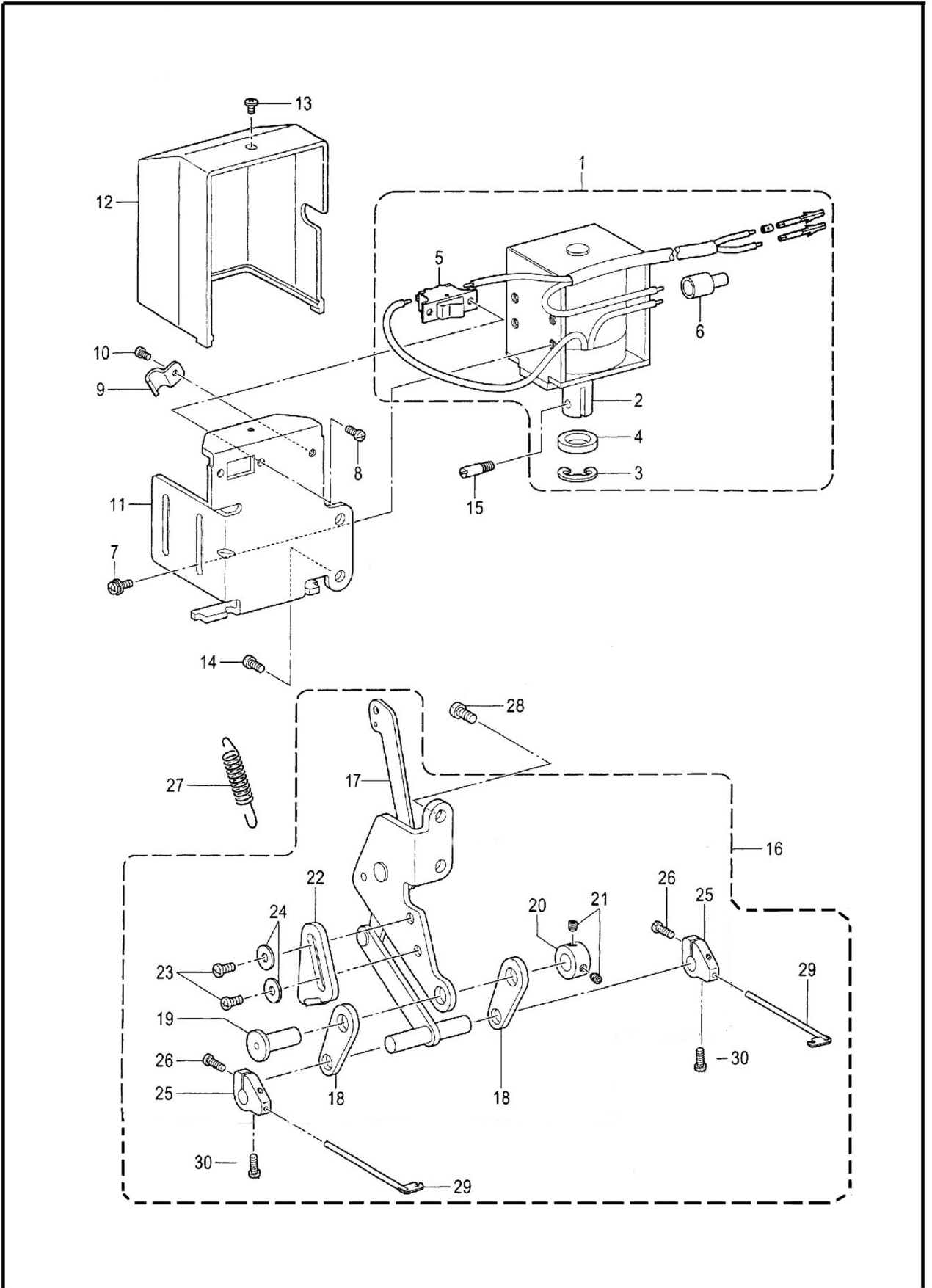
Q. 切线装置/Thread trimmer mechanism



Q. 切线装置/Thread trimmer mechanism

序号 No.	件号 Part No.	参考件号 Ref.Part No.	零部件名称	Name of parts	数量 Amt.			备注
					□□3	□□5	□□F	
54	120S13002	148536001	螺钉SM4. 37×40	Screw, SM4. 37-40×4. 2	4	4	4	
55	12919002	S07527001	固定刀	Fixed knife	2	2	2	
56	129S20601	148539101	段螺钉SM2. 38	Stud screw SM2.38	2	2	2	
57	12930305	S38687000	插头5557-14R	Connector 5557-14R	1	1	1	
58	12930309	SA1998001	接地线组件	Ground wire assy	1	1	1	
59	S04028	062500816	螺钉 M5×8	Screw, pan M5×8	1	1	1	
60	12011004	340400001	线夹	Fastening band	1	1	1	
61	1291231100	SA8364001	松线杆组件	Tension release lever assy	2	2	2	
62	1291233200	SA8365001	松线杆复合件	Tension release lever set	1	1	1	

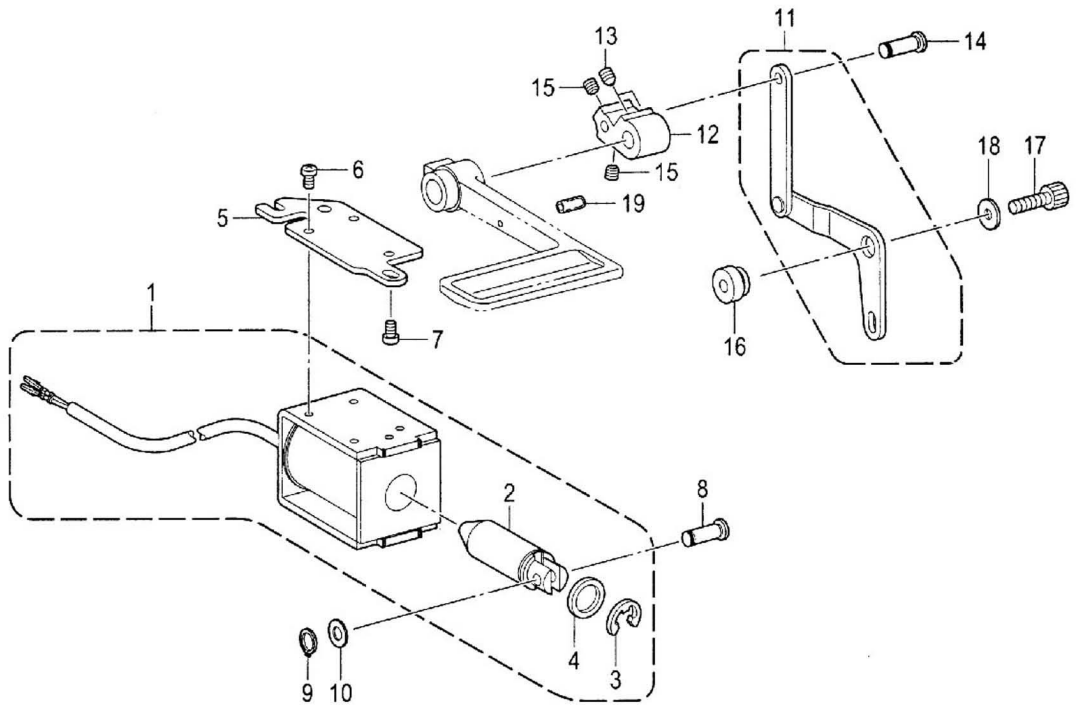
S1. 扫线装置D4/Thread wiper mechanism D4



S1. 扫线机构 D4 /Thread wiper mechanism D4

序号 No.	件号 Part No.	参考件号 Ref.Part No.	零部件名称	Name of parts	数量 Amt.			备注
					□□3	□□5	□□F	
1	1293031700	SA2680001	扫线电磁铁组件	Thread wiper solenoid assy	1	1	1	
2	12030009	148511001	插帮式铁芯	Plunger	1	1	1	
3	H05011	048090342	挡圈E9	Retaining ring ,E9	1	1	1	
4	12022003	S38426000	橡皮垫	Rubber cushion	1	1	1	
5	12030010	S02664001	扫线开关	Thread wiper switch	1	1	1	
6	12022004	S02665000	电线接头	Terminal connector	1	1	1	
7	129S30302	S39048001	螺钉(带垫片)M4×10	Screw, pan (s/p w) M4×10	4	4	4	
8	129S30027	062300616	螺钉M3×6	Screw, pan M3×6	2	2	2	
9	12912315	140647101	电线固定夹	Cord holder	1	1	1	
10	S04035	062400616	螺钉M4×6	Screw, pan M4×6	1	1	1	
11	12912316	SA2732001	电磁铁安装板	Solenoid bracket	1	1	1	
12	12911302	SA2696001	电磁铁盖	Solenoid cover	1	1	1	
13	S04010	060400516	螺钉M4×5.5	Screw, pan M4×5.5	4	4	4	
14	S04028	062501016	螺钉M5×8	Screw, pan M5×8	2	2	2	
15	120S11010	148546001	销	Pin	1	1	1	
16	1291231700	SA2682101	电磁铁连杆组件	Solenoid link assy	1	1	1	
17	12912318	SA2685001	动作传动板	Driver	1	1	1	
18	12012023	S07549101	扫线连接环	Link	2	2	2	
19	12926302	S07550001	销	Pin	1	1	1	
20	12903304	SA2504001	紧圈	Set screw collar	1	1	1	
21	S09019	012500536	螺钉M5×5	Screw, pan M5×5	2	2	2	
22	12912320	SA8745001	定位板	Stopper	1	1	1	
23	S04028	062500816	螺钉M5×8	Screw, pan M5×8	2	2	2	
24	12928018	025050236	平垫圈5	Plain washer 5	2	2	2	
25	12004006	S07552101	扫线器架	Thread wiper supporter	2	2	2	
26	120S13003	062661212	螺钉SM3. 18-44×12	Screw, SM3. 18-44×12	2	2	2	
27	12927304	SA2684001	弹簧	Spring	1	1	1	
28	S04028	062501016	螺钉M5×8	Screw, pan M5×8	2	2	2	
29	12912321	S07553001	扫线器	Thread wiper	2	2	2	
30	129S11005	S07424001	螺钉SM3. 18-44×4	Set screw, SM3. 18-44×4	2	2	2	

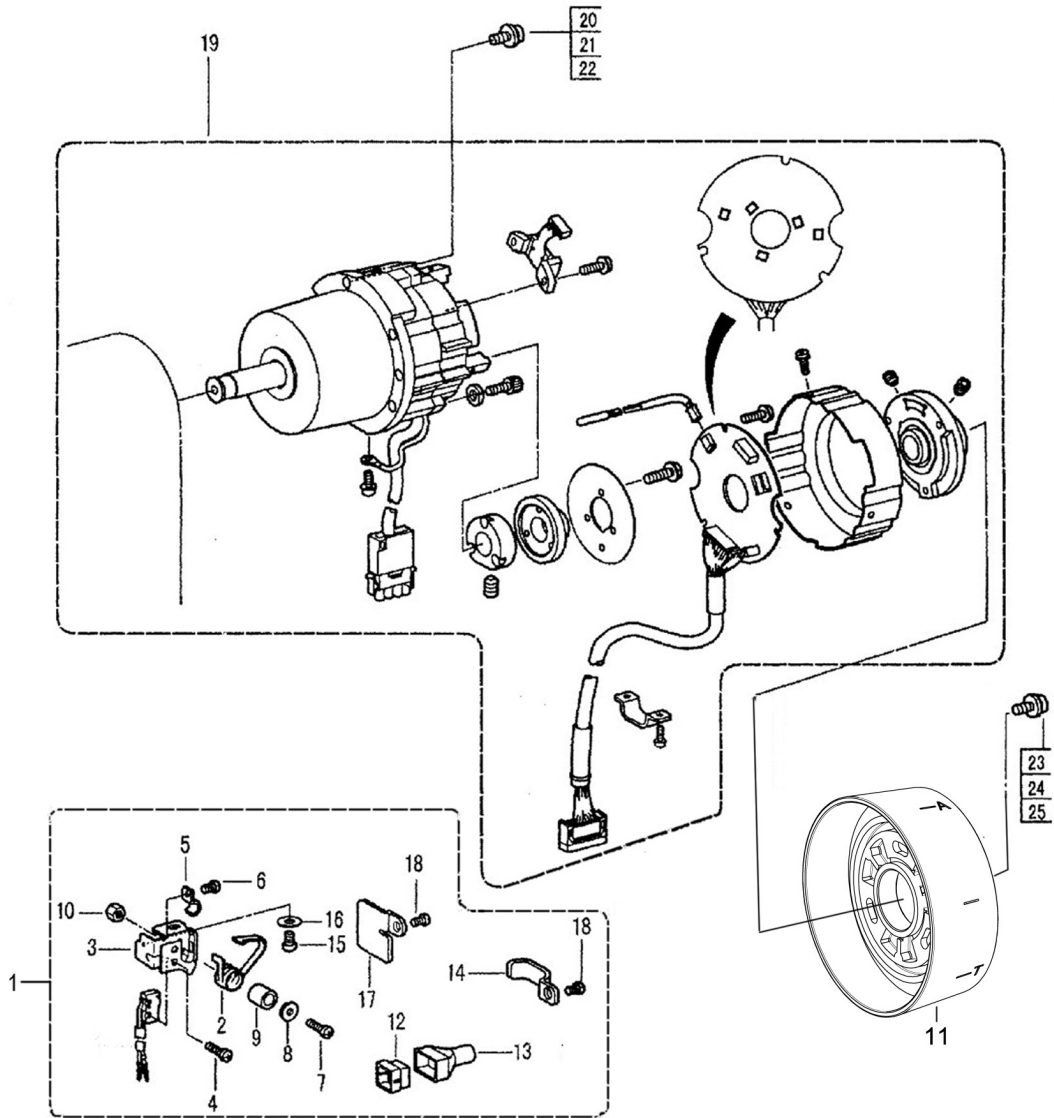
S2. 倒缝装置D4/Quick reverse mechanism



S2. 倒缝装置/Quick reverse mechanism D4

序号 No.	件号 Part No.	参考件号 Ref.Part No.	零部件名称	Name of parts	数量 Amt.			备注
					□□3	□□5	□□F	
1	1291232200	SA3072001	反转电磁铁组件	Quick reverse solenoid assy	1	1	1	
2	12930311	154729001	铁芯	Solenoid core	1	1	1	
3	H05005	154730001	挡圈E15	Retaining ring ,E15	1	1	1	
4	12022001	154731000	橡胶垫	Rubber cushion	1	1	1	
5	12912323	SA2535101	电磁铁底座	Solenoid base	1	1	1	
6	129S30016	062500812	螺栓(带垫圈)M5X10	Screw, pan M5×10	3	3	3	
7	S04038	062061016	螺钉M6×10	Screw, pan M6×10	2	2	2	
8	12926303	SA2992001	连接销	Pin	1	1	1	
9	H03003	048060142	挡圈5.6	Retaining ring ,5.6	1	1	1	
10	41328022	153138001	垫圈6.5	Washer, plain 6.5	1	1	1	
11	1291233000	SA2536001	电磁铁曲杆组件	Solenoid lever assy	1	1	1	
12	12904303	SA2540001	反转曲柄	Reverse crank	1	1	1	
13	S10021	016061031	紧定螺钉 M6×10	Screw, pan M6×10	2	2	2	
14	12926303	SA2992001	连接销	Pin	1	1	1	
15	S10019	012060636	螺钉M6×6	Screw, pan M6×6	2	2	2	
16	12903305	SA2539001	电磁铁曲杆轴	Solenoid lever shaft	1	1	1	
17	S05078	018062032	螺钉M6×20	Screw, pan M6×20	1	1	1	
18	12928002	149095009	垫圈	Washer	1	1	1	
19	11203001	153132000	倒送料板手定位套	Oil tube	1	1	1	

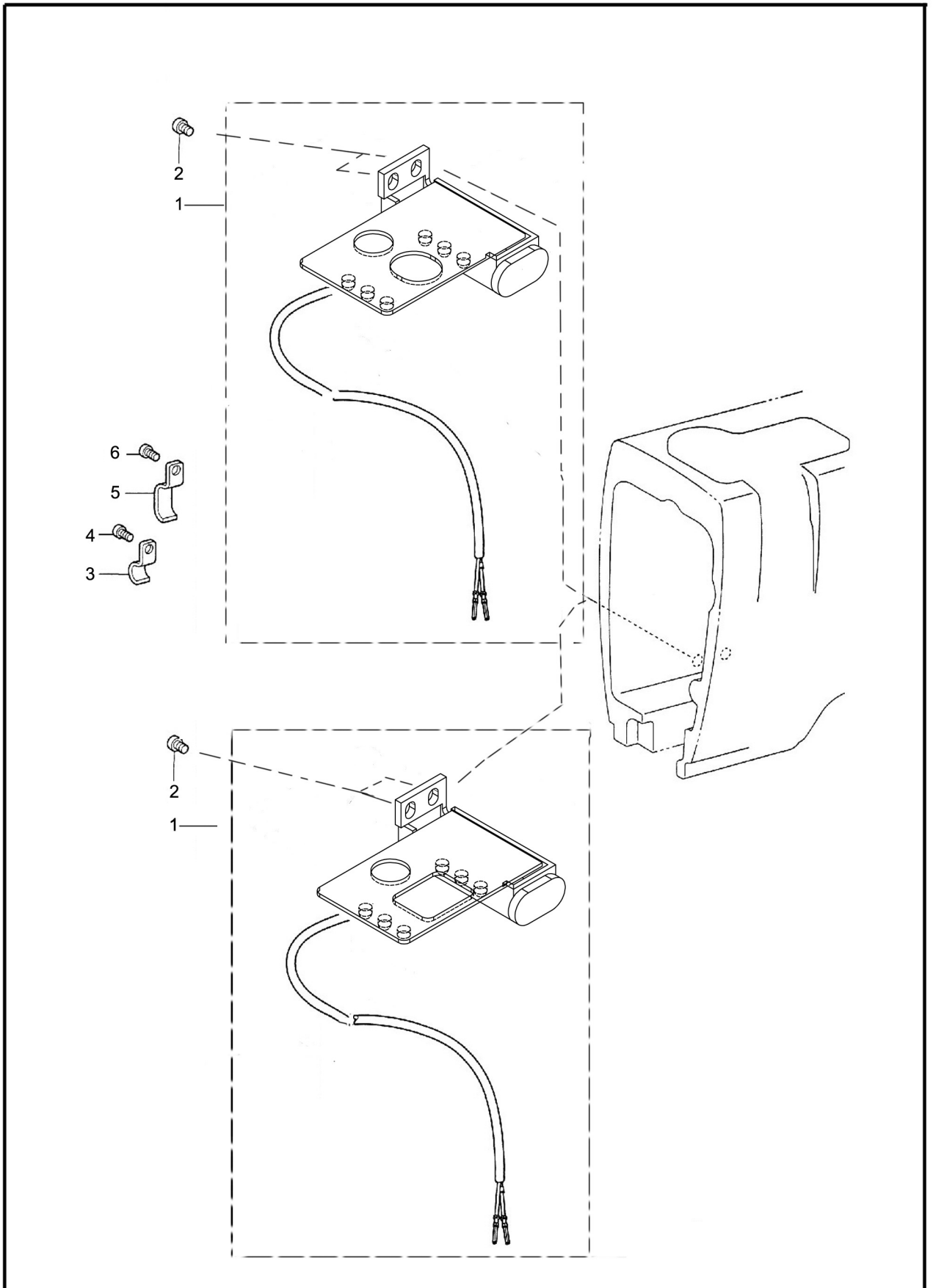
T1. 马达与安全开关D4/Motor and safety switch mechanism D4



T1. 马达与安全开关D4/Motor and safety switch mechanism D4

序号 No.	件号 Part No.	参考件号 Ref.Part No.	零部件名称	Name of parts	数量 Amt.			备注
					□□3	□□5	□□F	
1	1293031600	SA1385001	微动开关组件	Micro switch assy	1	1	1	
2	12927306	S38744101	板弹簧	Switch plate spring	1	1	1	
3	12912328	SA2686001	开关基座	Switch base	1	1	1	
4	S05092	062020806	螺钉M2×8	Screw, pan M2×8	2	2	2	
5	12912315	140647101	电线固定夹	Cord holder	1	1	1	
6	S04035	062400616	螺钉M4×6	Screw, pan M4×6	1	1	1	
7	S04040	062401216	螺钉M4×12	Screw, pan M4×12	1	1	1	
8	W01001	026040236	平垫圈4	Washer, plain 4	1	1	1	
9	12903306	154514001	衬套	Bush	1	1	1	
10	N01001	021400106	六角螺母M4	Nut M4	1	1	1	
11	301023	SA4040001	手轮	Pulley	1	1	1	
12	12930413		四芯插头	Fourcore connector plugs	1	1	1	
13	12930414		3×4护套	Jacket	1	1	1	
14	12912333	SA2712001	电线固定夹	Cord holder	1	1	1	
15	S04033	062060812	螺钉M6×8	Screw, pan M6×8	1	1	1	
16	12928022	025060136	平垫圈S6	Washer, plain S6	1	1	1	
17	12912317	SA2687001	线夹	Cord holder	1	1	1	
18	S04028	062500816	螺钉M5×8	Screw, pan M5×8	2	2	2	
19	12933005		伺服电机I170M-4-60-220	Hohsing	1	1	1	
	1293300400		直驱电机(鲍麦克斯, 360)	Powermax	1	1	1	
20	S04032	SA2354001	螺钉M5×14	Screw, pan M5×14	5	5	5	
21	W02001	028050246	弹簧垫圈5	Washer, spring 5	5	5	5	
22	W01004	026050136	平垫圈5	Washer, plain 5	5	5	5	
23	S04060	SA3025001	螺钉M4×10	Screw, pan M4×10	3	3	3	
24	W02002		弹簧垫圈	Washer, spring	3	3	3	
25	W01001		平垫圈	Washer, plain	3	3	3	

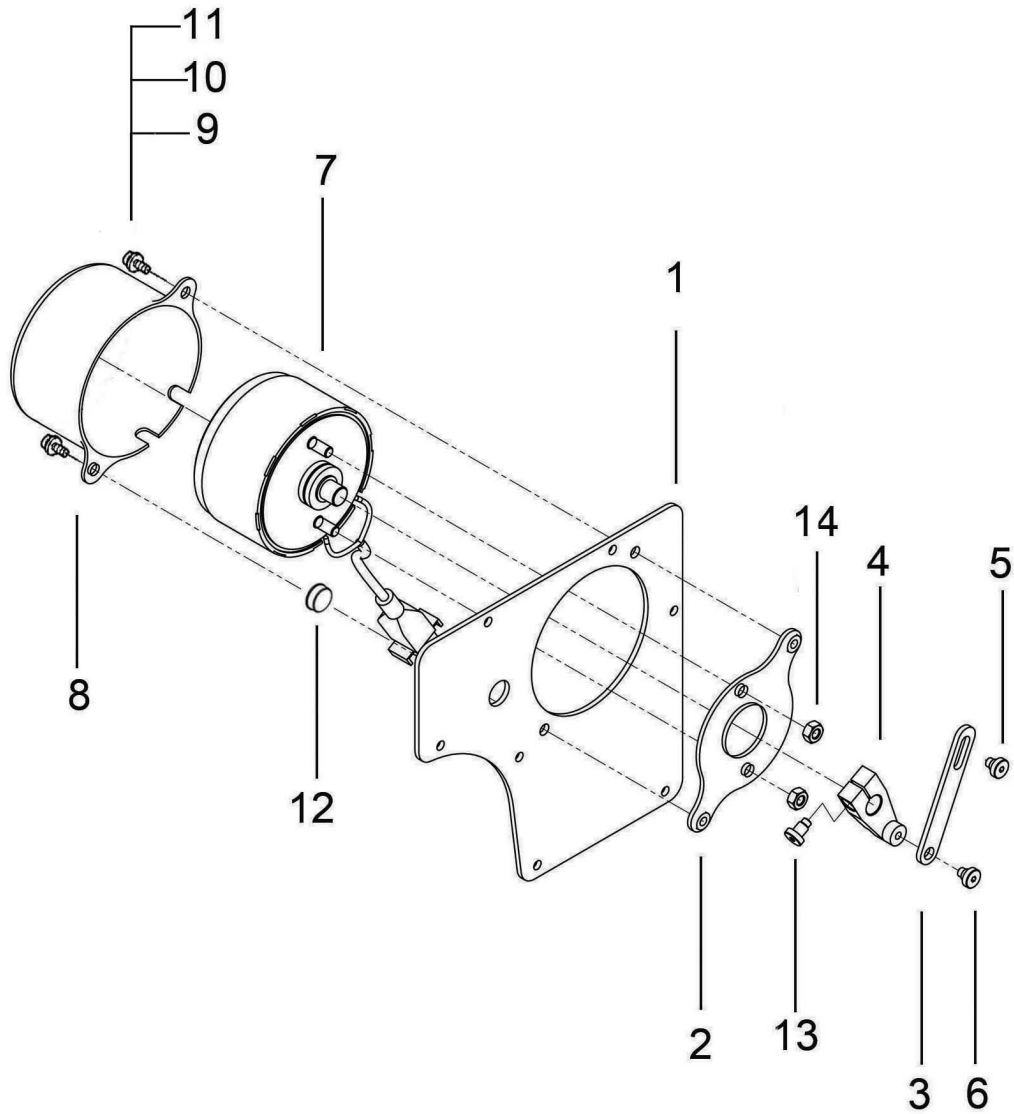
U. 倒缝开关装置D4/Quick reverse switch mechanism D4



U. 倒缝开关装置D4/Quick reverse switch mechanism D4

序号 No.	件号 Part No.	参考件号 Ref.Part No.	零部件名称	Name of parts	数量 Amt.			备注
					□□3	□□5	□□F	
1	1293031900		倒缝开关(含LED灯) 12V	Reverse actuator assy	1	1	1	58420D/58720D (贺)
	1293032000		倒缝开关(含LED灯) 12V	Reverse actuator assy	1	1	1	58450D/58750D (贺)
	1293032100		倒缝开关(含LED灯) 5V	Reverse actuator assy	1	1	1	58420D/58720D (鲍)
	1293032200		倒缝开关(含LED灯) 5V	Reverse actuator assy	1	1	1	58450D/58750D (鲍)
2	S04030	SA2689100	螺钉M5×6	Screw, pan M5×6	2	2	2	
3	12912326	SA2689101	线夹	Stopper	1	1	1	
4	S04030	062500616	螺钉M5×6	Screw, pan M5×6	1	1	1	
5	12912327	SA1388101	线夹	Stopper	4	4	4	
6	S04030	062500616	螺钉M5×6	Screw, pan M5×6	1	1	1	

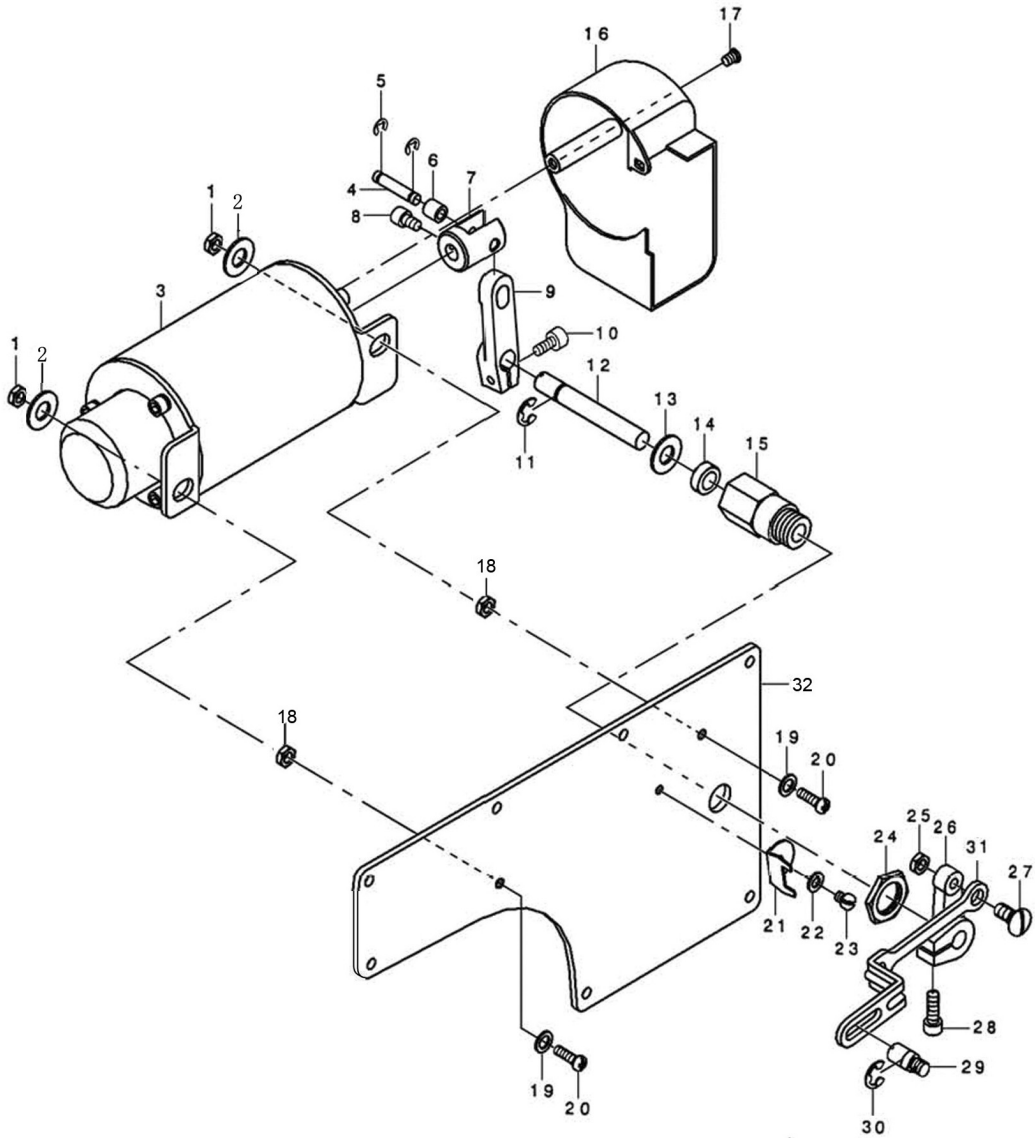
W1. 自动抬压脚装置 (选购件1) /Auto lifter components (optional)



W1. 自动抬压脚装置 (选购件1) /Auto lifter components (optional)

序号 No.	件号 Part No.	参考件号 Ref.Part No.	零部件名称	Name of parts	数量 Amt.			备注
					□□3	□□5	□□F	
1	301252		后盖板	Back cover board	1	1	1	
2	12912402		电磁铁支架	Solenoid bracket	1	1	1	
3	12912403		拉杆	Pull lever	1	1	1	
4	12904401		曲柄	Rear cover	1	1	1	
5	129S20401		段螺钉6.3-6.5	Shoulder scrw 6.3-6.5	1	1	1	
6	129S20001		段螺钉6.3-3.2	Shoulder scrw 6.3-3.2	1	1	1	
7	1293040100		抬压脚电磁铁组件	P-foot lifter solenoid	1	1	1	
8	301251		电磁铁罩	Solenoid cover	1	1	1	
9	S04038		螺钉M6×10	Screw, pan M6×10	2	2	2	
10	12928018		平垫圈M5	Washer M5	1	1	1	
11	W02004		弹簧垫片M6	Washer, spring M6	2	2	2	
12	12922401		橡皮塞18.5	Rubber cap 18.5	1	1	1	
13	S04032		螺钉M5×14	Screw, pan M5×14	1	1	1	
14	N01012		螺母M6	Nut M6	2	2	2	

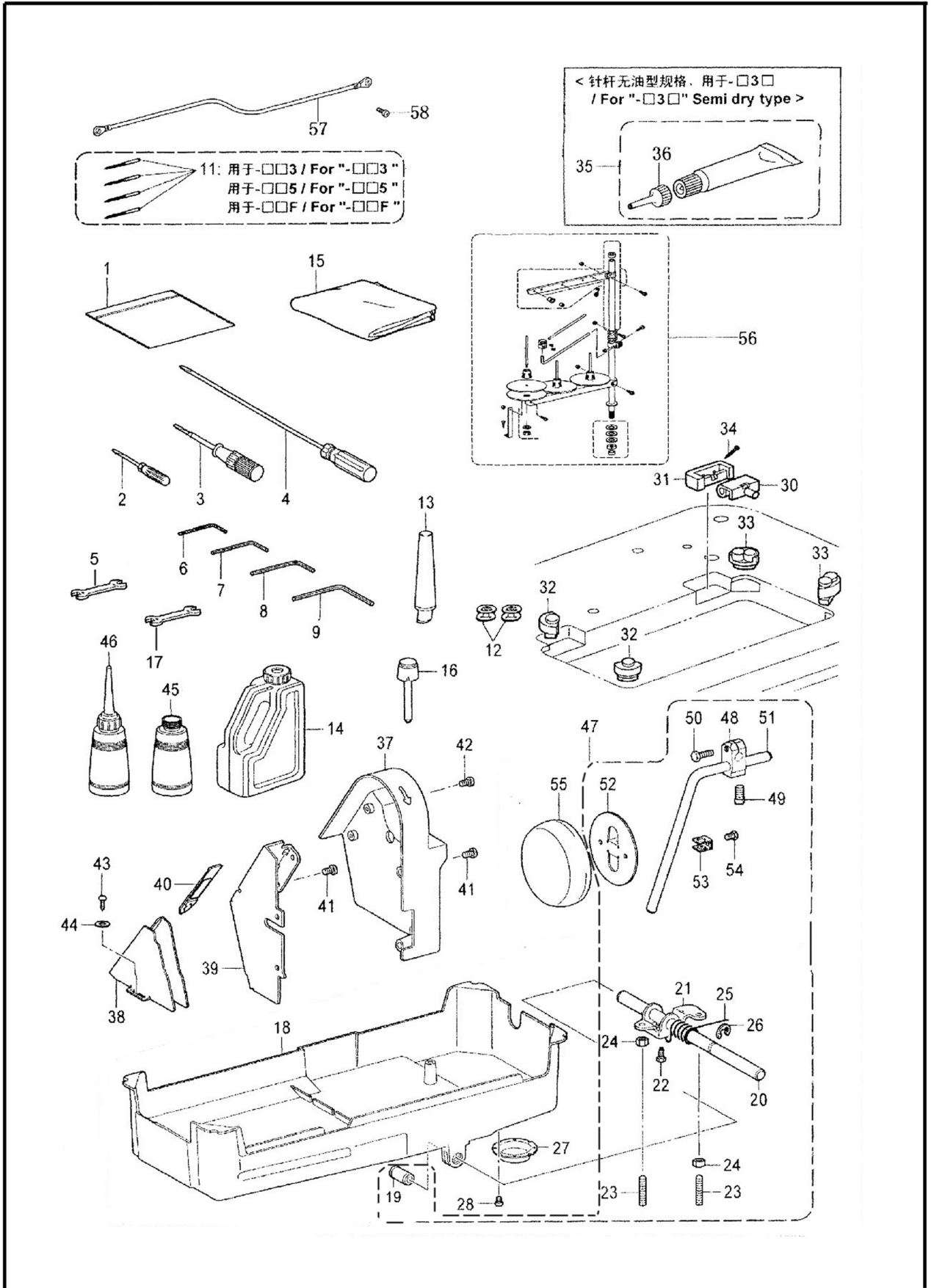
W2. 自动抬压脚装置 (选购件2) /Auto lifter mechanism (optional)



W2. 自动抬压脚装置 (选购件2) /Auto lifter mechanism (optional)

序号 No.	件号 Part No.	参考件号 Ref.Part No.	零部件名称	Name of parts	数量 Amt.			备注
					□□3	□□5	□□F	
	1123002000		自动抬压脚组件(无拉杆)	Magnetic plug asm(no pull rod)	1	1	1	
1	112S26013		支撑架大螺母	Nut	2	2	2	
2	W01021		垫片	Washer	2	2	2	
3	1123002000		自动抬压脚电磁铁组件	Magnetic plug asm.	1	1	1	
4	11226007		电磁铁曲柄销	Magnetic plugpin	1	1	1	
5	H05003		挡圈	E-ring	2	2	2	
6	11203003		曲柄套筒	Sleeve	1	1	1	
7	11201007		电磁铁芯轴接头	Magnetic plug pin tie-in	1	1	1	
8	S05038		接头螺钉	Screw	1	1	1	
9	11204005		电磁铁曲柄	Magnetic crank	1	1	1	
10	S05013		螺钉	Screw	1	1	1	
11	H05011		挡圈	E-ring	1	1	1	
12	11202003		自动抬压脚轴	Automated presser foot shaft	1	1	1	
13	11228003		套筒垫片	Washer	1	1	1	
14	11222016		油封	Oil seal	1	1	1	
15	11203002		套筒	Sleeve	1	1	1	
16	11211006		自动抬压脚罩壳	Wiper cover	1	1	1	
17	S04022		罩壳螺钉	Screw	2	2	2	
18	112S16012		支承螺钉小螺母	Nut	2	2	2	
19	11228001		支承架支承螺钉垫片	Washer	2	2	2	
20	112S11015		支承架支承螺钉	Screw	2	2	2	
21	11212037		拉杆支架	Pull rod bracket	1	1	1	
22	11228002		拉杆支架垫片	Pull rod bracket washer	1	1	1	
23	112S11014		拉杆支架紧固螺钉	Screw	1	1	1	
24	112S16011		套筒螺母	Nut	1	1	1	
25	114S16005		拉杆螺母	Nut	1	1	1	
26	11204004		自动抬压脚曲柄	Crank	1	1	1	
27	112S20008		拉杆螺钉	Screw	1	1	1	
28	S05013		皮带轮固定螺钉	Screw	1	1	1	
29	112S20009		抬压脚拉杆螺钉	Screw	1	1	1	
30	H05013		挡圈6	E-ring	1	1	1	
31	12912405		自动抬压脚拉杆	Pull rod	1	1	1	另购
32	301078		后窗板	Slide plate	1	1	1	另购

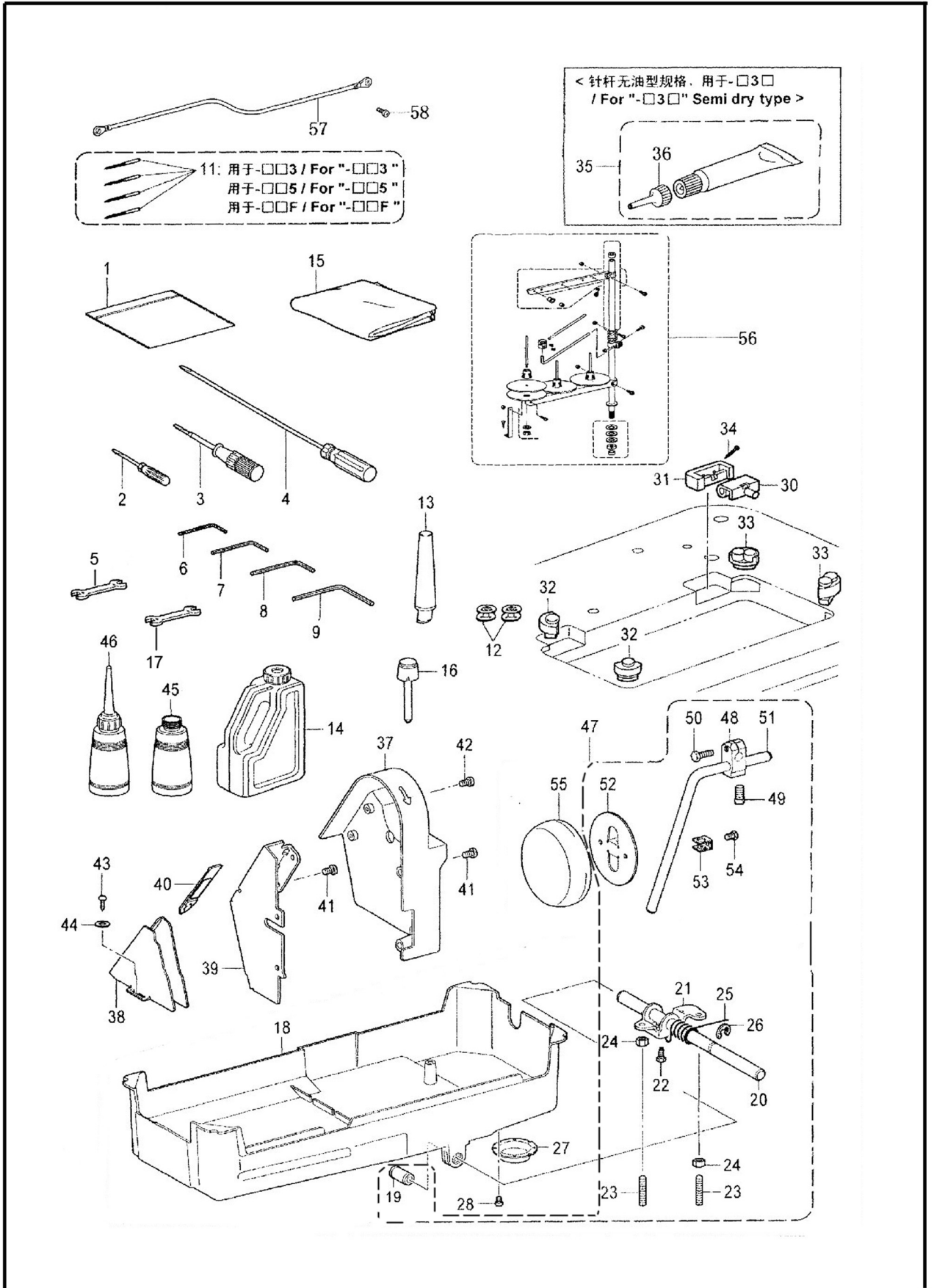
Z. 附件/Accessories



Z. 附件/Accessories

序号 No.	件号 Part No.	参考件号 Ref.Part No.	零部件名称	Name of parts	数量 Amt.			备注
					□□3	□□5	□□F	
1	30131029	122991001	附属品塑料袋	Accessory Bag	1	1	1	
2	10131004	142443001	螺丝刀 (小)	ScrewDriver, 1.9×52	1	1	1	
3	10131003	118837001	螺丝刀 (中)	ScrewDriver, 3.4×70	1	1	1	
4	10131002	S17774001	螺丝刀 (大)	ScrewDriver, 4.7×250	1	1	1	
5	30131006	100887001	扳手 (8mm~10mm)	Wrench	1	1	1	
6	20131046	142002001	内六角扳手2	Hexagonal Wrench, 2	1	1	1	
7	30131010	154125001	内六角扳手3	Hexagonal Wrench, 2.5	1	1	1	
8	30131012	142721001	内六角扳手4	Hexagonal Wrench, 3	1	1	1	
9	20131056	149570001	内六角扳手6	Hexagonal Wrench, 5	1	1	1	
11	11617002	107415014	机针DP×5 (#14)	Needle, DP×5	4			
11	10117002	107415022	机针DP×5 (#21)	Needle, DP×5		4		
12	11618001	S01928151	梭芯	Bobbin	2	2	2	58420/58450
12	11818001	S07741001	梭芯	Bobbin	2	2	2	58720/58750
13	10111011	100477009	机头支柱	Head Rest	1	1	1	
14	20131037	S55663001	油壶	Oil Tank Assy	1	1	1	
15	40131017	144226001	防尘罩	Head Cover	1	1	1	
16	12911014	145573000	膝控提升顶杆	Knee Lifter Complying Bar	1	1	1	
17	40931025		扳手 (9mm~11mm)	Wrench	1	1	1	
18	12901011	SA2692101	油盘	Oil Pan	1	1	1	
19	11636007	149578000	塑料轴套	Bush	1	1	1	
20	12902019	SA2582001	膝控横轴	Knee Lifter Shaft	1	1	1	
21	12912087	SA2590001	膝控曲柄	Knee Lifter	1	1	1	
22	101S12002	S25344001	螺栓M6	Bolt, M6	1	1	1	
23	417S10003	S25475101	螺钉M6×19	Set Screw, M6×19	2	2	2	
24	N01012	021060306	六角螺母M6	Nut, 3M6	2	2	2	
25	11627011	S15889001	复位弹簧	Twist Spring	1	1	1	
26	H05010	146293001	挡圈E10	Retaining Ring, E10	1	1	1	
27	12912088	153230101	放油口	Drain	1	1	1	
28	S01031	S23418002	螺钉M4×5	Screw, M4×5	2	2	2	
30	1011203100	143882001	机头连接钩组件	Head Hinge	2	2	2	
31	10122060	143910009	机头连接钩座 (6-1	Rubber Cushion	2	2	2	
32	12922017	SA1962001	头部防震垫	Head Cushion	2	2	2	
33	12922018	SA1963001	头部防震垫	Head Cushion	2	2	2	
34	101S30010	109714000	机头连接勾座钉	Nail	4	4	4	
35	12931501	SA2693001	润滑脂组件	Grease Unit	1	1	1	用于□3□, For □3□
36	12931502	SA2695001	润滑脂注入口	Grease Nozzle	1	1	1	用于□3□, For □3□
37	12911010	SA2768101	皮带罩U	Belt Cover, U	1	1	1	
38	301082	SA2769001	皮带罩D	Belt Cover, D	1	1	1	
39	301083	SA2770101	皮带罩架	Belt Cover Bracket	1	1	1	
40	12911013	S37263001	皮带罩D盖L	Belt Cover D Lid, L	1	1	1	
41	S04028	062500816	螺钉M5×8	Screw, Pan M5×8	4	4	4	
42	S04028	062500816	螺钉M5×8	Screw, Pan M5×8	2	2	2	
43	101S30014	100666002	圆头木螺钉M5.5×20	Wood Screw, Round M5.5×20	2	2	2	
44	W01004	025750132	平垫圈S5.56	Washer, Plain S5.56	2	2	2	
45	11631008	114486002	油壶	Oiler	1	1	1	
46	11631008	114483002	油壶组件	Oiler Assy	1	1	1	
47	1160101000	S38300001	脚弓托架组件	Knee Lifter Assy	1	1	1	

Z. 附件/Accessories



Z. 附件/Accessories

序号 No.	件号 Part No.	参考件号 Ref.Part No.	零部件名称	Name of parts	数量 Amt.			备注
					□□3	□□5	□□F	
48	12912417	146039121	操纵杆接头	Knee Lifter Bracket	1	1	1	
49	101S12003	100463021	操纵杆接头螺钉	Knee Lifter Bracket, Screw	1	1	1	
50	129S12002	S35820021	锥头螺钉M6	Screw, Pan M6	1	1	1	
51	12912414	S38278001	操作杆	Knee Lifter Bar	1	1	1	
52	12912415	S34756021	操作板	Knee Lifter Plate	1	1	1	
53	12912416	114967021	操作杆接头	Knee Lifter Plate Stopper	1	1	1	
54	101S12004	110087021	螺钉M6	Screw, Pan M6	1	1	1	
55	10122024	S31885001	操纵板软垫	Knee lifter plate cover	1	1	1	
56	1293100400	S07558309	线架组件 3DRTHF	Cotton Stand Assy, 3DRTHF	1	1	1	
57	12930306	SA4313001	地线	Ground Wire	1	1	1	用于□3□, For □3□
58	S04028	062500816	螺钉M5×8	Screw Pan M5×8	1	1	1	用于□3□, For □3□

针位组零件明细表/Gauge parts list (58420/58720)

针距 Needle gauge (mm)	针夹头 Needle Clamp Assembly	针板 Needle Plate	送布牙 Feed Dog (-□□3)	送布牙 Feed Dog (-□□5)	压脚 Presser Foot Assembly
1/8 (3.2)	1293401100				
5/32 (4.0)	1293401200				
3/16 (4.8)	1293402600				
1/4 (6.4)	11634001	12915004	12914001		1291600200
3/8 (9.5)	1293400100				
5/16 (7.9)	1293401400				
7/16 (11.1)	1293401600				
1/2 (12.7)	1293401700				
5/8 (15.9)	1293401800				
7/8 (22.2)	1293403200				
1 (25.4)	1293401900				
1-1/4 (31.8)	1293402000				
1-13/16 (46)	1293400500				
1-1/2 (38.1)	1293402100				
1-5/8 (41.3)	1293402900				
1-7/8 (47.6)	1293403000				

针位组零件明细表/Gauge parts list (58450/58750)

针距 Needle gauge (mm)	针夹头 Needle Clamp Assembly	针板 Needle Plate	送布牙 Feed Dog (-□□3)	送布牙 Feed Dog (-□□5)	压脚 Presser Foot Assembly
1/8 (3.2)	1293403300				
5/32 (4.0)	1293402200				
3/16 (4.8)	1293402700				
1/4 (6.4)	11734002 (L) 11734003 (R)	12915004	12914001		1291600200
3/8 (9.5)	1293400200				
5/16 (7.9)	1293400400				
7/16 (11.1)	1293403500				
1/2 (12.7)	1293403600				
5/8 (15.9)	1293403700				
7/8 (22.2)	1293402800				
1 (25.4)	1293403800				
1-1/4 (31.8)	1293403900				
1-13/16 (46)	1293404000				
1-1/2 (38.1)	1293404100				
1-5/8 (41.3)	1293404200				
1-7/8 (47.6)	1293404300				

针位组零件明细表/Gauge parts list(58420D)

针距 Needle gauge (mm)	针夹头 Needle Clamp Assembly	针板 Needle Plate	送布牙 Feed Dog (-□□3)	送布牙 Feed Dog (-□□5)	压脚 Presser Foot Assembly
1/8(3.2)			1293404400		
5/32(4.0)			1293404500		
3/16(4.8)			1293402600		
1/4(6.4)	11634001	1291530100	12914301	12914314	1291632500
3/8(9.5)			1293404700		
5/16(7.9)			1293404800		
7/16(11.1)			1293404900		
1/2(12.7)			1293405000		
5/8(15.9)			1293405100		
7/8(22.2)			1293405200		
1(25.4)			1293405300		
1-1/4(31.8)			1293405400		

针位组零件明细表/Gauge parts list(58720D)

针距 Needle gauge (mm)	针夹头 Needle Clamp Assembly	针板 Needle Plate	送布牙 Feed Dog (-□□3)	送布牙 Feed Dog (-□□5)	压脚 Presser Foot Assembly
1/8(3.2)			1293404400		
5/32(4.0)			1293404500		
3/16(4.8)			1293404600		
1/4(6.4)	11634001	1291530100	12914301	12914314	1291632500
3/8(9.5)			1293404700		
5/16(7.9)			1293404800		
7/16(11.1)			1293404900		
1/2(12.7)			1293405000		
5/8(15.9)			1293405100		

针位组零件明细表/Gauge parts list(58450D/58750D)

针距 Needle gauge (mm)	针夹头 Needle Clamp Assembly	针板 Needle Plate	送布牙 Feed Dog (-□□3)	送布牙 Feed Dog (-□□5)	压脚 Presser Foot Assembly
1/8(3.2)			1293405500		
5/32(4.0)			1293405600		
3/16(4.8)			1293405700		
1/4(6.4)	11734002L 11734003R	1291530100	12914301	12914314	1291632500
3/8(9.5)			1293405800		
5/16(7.9)			1293405900		
7/16(11.1)			1293406000		
1/2(12.7)			1293406100		
5/8(15.9)			1293406200		
7/8(22.2)			1293406300		
1(25.4)			1293406400		
1-1/4(31.8)			1293406500		

产品标准代号: QB/T2044-2010
Standard code of the products: QB/T2044-2010



浙江新杰克缝纫机股份有限公司

ZHEJIANG NEW JACK SEWING MACHINE CO.,LTD.

- 公司地址(Address of Company):
台州市椒江区机场南路15号
No. 15 Rd Airport South, Jiaojiang District Taizhou City, Zhejiang, P.R.C
- 国内销售部(Domestic Trade Department):
电话(TEL): 0086-576-88177788 88177789
传真(FAX): 0086-576-88177758
- 国贸部(International Trade Department):
电话(TEL): 0086-576-88177782 88177774
传真(FAX): 0086-576-88177787
- 零件部(Spare Part Department):
电话(TEL): 0086-576-88177798 88177785
传真(FAX): 0086-576-88177775
- 免费售后服务电话(Aftersale Service TEL): 4008876858
<http://www.chinajack.com>
- 资料如有更改, 恕不另行通知, 以实样为准。
You will be not informed if the file has been revised. Please set sample as standard.
- 2013. 9